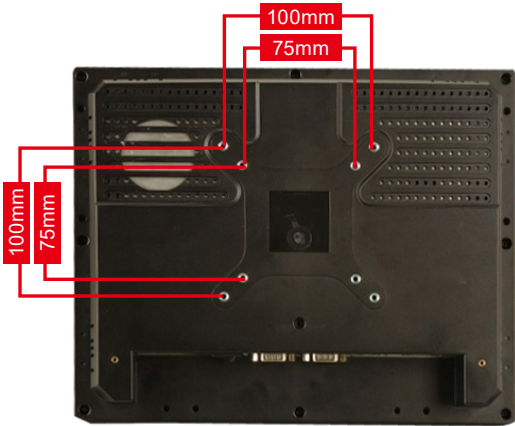


IEI Quick Mounting Technology



Compliant with VESA Mounting Standards

IEI panel solutions have four mounting holes compliant with the VESA (Video Electronics Standards Association) mounting standard (75mm x 75mm/100mm x 100mm) on the rear panel for stand mounting and other mounting methods.

» Stand Mounting

• VESA 75/100 Universal Stand



STAND-A21-R10



Portrait/Landscape



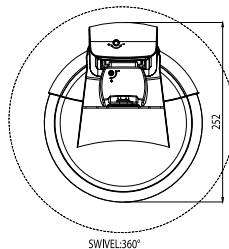
Height Adjustment (13 cm)



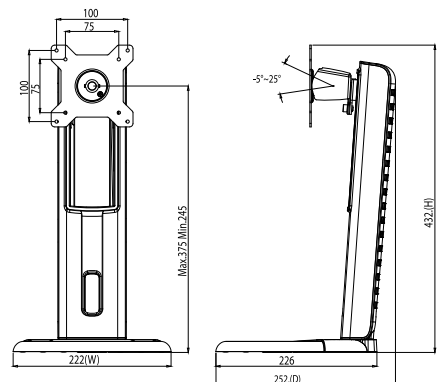
Right/Left Pan (360°)



Forward/Backward Tilt (+25°/-5°)

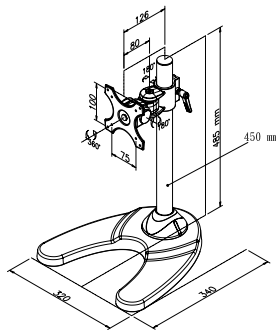


SWIVEL:360°



Ordering Information

Part No.	Description
STAND-A21-R10	15"~21" VESA 75x75 mm/100x100 mm PPC/Monitor Stand, support from 6 KG to ~12 KG, Black, RoHS

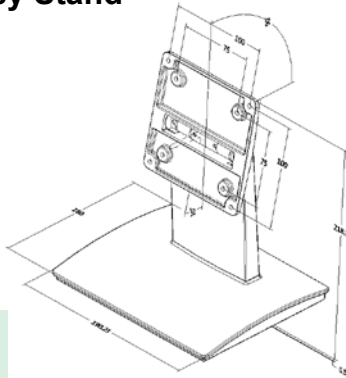


STAND-210

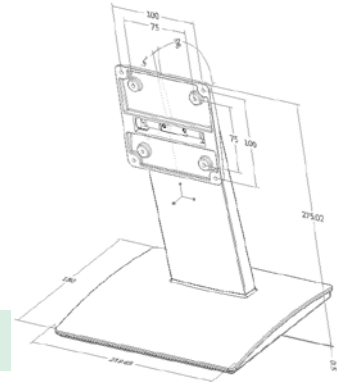
Ordering Information

Part No.	Description
STAND-210-R11	<ul style="list-style-type: none"> • Support VESA 75/100 standard • Weight capacity from 7kg~10kg

• VESA 75/100 Easy Stand



STAND-C12-R10



STAND-C19-R10



Tilt Forward/Backward

Ordering Information

Part No.	Description
STAND-C12-R10	5.7" ~ 12.1" VESA 100x100mm, 75x75mm PPC/Monitor Stand, support up to 7.5kg, Black color, RoHS
STAND-C19-R10	15"~19" VESA 100x100mm, 75x75mm PPC/Monitor Stand, support up to 15kg, Blackcolor, RoHS

DIN Rail Kit



Model Name	DK-75-R10	DK-100-R10
Specification	850 mm (W) x 75mm (D)	110 mm (W) x 100 mm (D)
Description	VESA 75 to DIN-rail kit	VESA 100 to DIN-rail kit