

LCD Kit Series

6.5" ~ 19" Open Frame LCD Monitor with OSD Function



Sunlight Readable Available

Features

1. 6.5"~19" modular architecture for efficient integration
2. Over 300cd/m² high brightness and 50000hrs MTFB long lifetime panel
3. Analog VGA or digital DVI interfaces support most of general systems
4. Sunlight readable option
5. Support software OSD for remote control applications



Specifications

	1000 nits		1000 nits		800 nits					
Model	LCD-KIT65GH	LCD-KIT084GH	LCD-KIT104GH	LCD-KIT121GX	LCD-KIT150G	LCD-KIT170G	LCD-KIT190G	SRM-KIT121G	SRM-KIT121XA	SRM-KIT150G
LCD Size	6.5"	8.4"	10.4"	12.1"	15"	17"	19"	12.1"	12.1"	15"
Input Interface	Analog VGA			Analog VGA + DVI-D						
Max. Resolution	640 x 480	800 x 600	800 x 600	1024 x 768	1024 x 768	1280 x 1024	1280 x 1024	800 x 600	1024 x 768	1024 x 768
Brightness (cd/m ²)	800	450	400	500	350	300	300	1000	1000	800
Contrast Ratio	600 : 1	600 : 1	700 : 1	700 : 1	500 : 1	800 : 1	1000 : 1	700:1	700:1	600:1
Display Color	262K	262K	262K	262K	16.2M	16.7M	16.7M	262k	262k	262k
Pixel Pitch (mm)	0.207	0.213	0.264	0.3075	0.297	0.264	0.294	0.3075	0.240	0.297
Viewing Angle (H/V)	160/140	160/140	160/140	160/160	120/100	160/160	170/160	130°/120°	120°/120°	150°/110°
Chassis	Heavy-duty									
Input Voltage	12VDC	12VDC or 9-36VDC								
OSD function	Yes									
Smart-OSD	Yes									
Mounting	Panel									
Dimensions (W x H x D mm)	183 x 143 x 41	244 x 178 x 49	312 x 242 x 53	340 x 260 x 58	410 x 309 x 55.1	452 x 356 x 65.2	482 x 399 x 73	316 x 224.4 x 47.9	316 x 224.4 x 47.9	364.1 x 262.5 x 46
Operating Temperature	-10°C~50°C							-10°C~60°C		
Net Weight	1 kg	1.8 kgs	3 kgs	3.8 kgs	6 kgs	8.6 kgs	10 kgs	3.3 kgs	3.3 kgs	6 kgs
Power Adapter	36W, 63000-FSP036RAB610-RS				50W, 63000-FSP050DBAB1411-RS			36W, 63000-FSP036RAB610-RS		

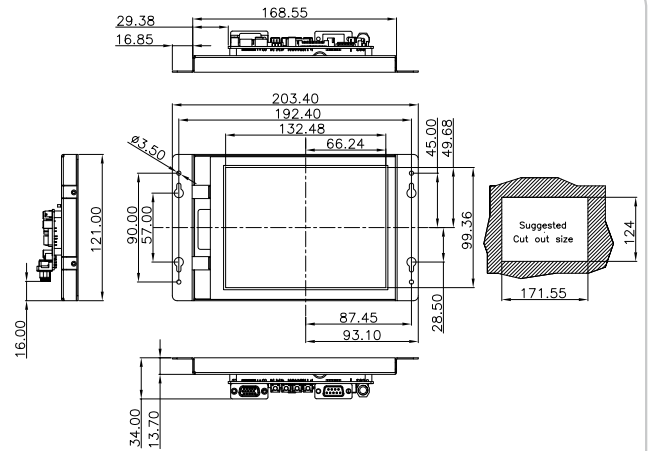
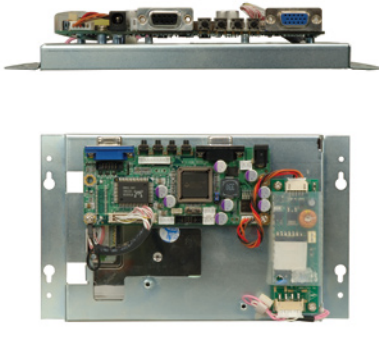
Note: The smartOSD function is supported by revision 11 models and above

Ordering Information

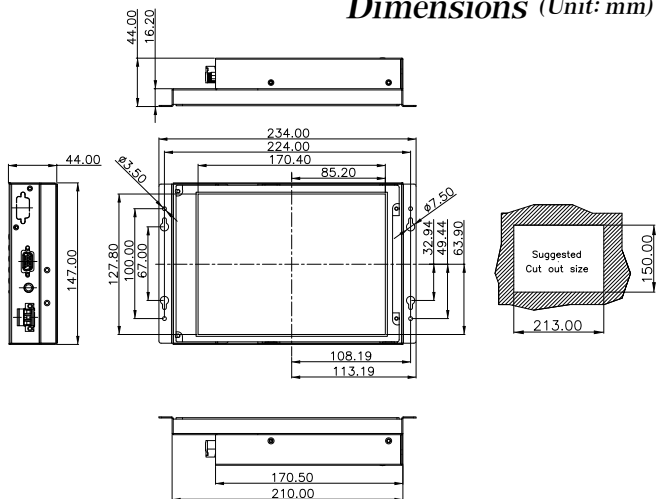
	Part No.	Description
6.5"	LCD-KIT65GH-R20	6.5" 800cd/m ² High luminance VGA TFT LCD kit, VGA input, R20, RoHS
	LCD-KIT84GH-R20	8.4" 450cd/m ² High luminance SVGA TFT LCD kit, VGA input, R20, RoHS
8.4"	LCD-KIT84GHM-R20	8.4" 450cd/m ² High luminance SVGA TFT LCD kit, VGA input, 9~36V DC input, R20, RoHS
	LCD-KIT104GH-R20	10.4" 400cd/m ² High luminance SVGA TFT LCD kit, VGA input, R20, RoHS
10.4"	LCD-KIT104GHM-R20	10.4" 400cd/m ² High luminance SVGA TFT LCD kit, VGA input, 9~36V DC input, R20, RoHS
	LCD-KIT121GX-R20	12.1" 500cd/m ² XGA TFT LCD kit, VGA and DVI-D input, R20, RoHS
12.1"	LCD-KIT121GXM-R20	12.1" 500cd/m ² XGA TFT LCD kit, VGA and DVI-D input, 9~36V DC input, R20, RoHS
	SRM-KIT121G-R20	12.1" 1000 cd/m ² Sun Rdadable SVGA TFT LCD kit, VGA and DVI-D input, R20, RoHS
	SRM-KIT121XA-R20	12.1" 1000 cd/m ² Sun Readable XGA TFT LCD kit, VGA and DVI-D input, R20, RoHS
	SRM-KIT121XMA-R20	12.1" 1000 cd/m ² Sun Readable XGA TFT LCD kit, VGA and DVI-D input, w/9-36V DC input, R20, RoHS
	SRM-KIT121GM-R20	12.1" 1000 cd/m ² Sun Readable SVGA TFT LCD kit, VGA and DVI-D input, w/9-36V DC input, R20, RoHS
	LCD-KIT150G-R20	15" 350cd/m ² XGA TFT LCD kit, VGA and DVI-D input, R20, RoHS
15"	LCD-KIT150GM-R20	15" 350cd/m ² XGA TFT LCD kit, VGA and DVI-D input, 9~36V DC input, R20, RoHS
	SRM-KIT150G-R20	15" 800 cd/m ² Sun Rdadable XGA TFT LCD kit, VGA and DVI-D input, R20, RoHS
	SRM-KIT150GM-R20	15" 800 cd/m ² Sun Readable XGA TFT LCD kit, VGA and DVI-D input, w/9-36V DC input, R20, RoHS
17"	LCD-KIT170GS-R20	17" 300cd/m ² SXGA TFT LCD kit, VGA and DVI-D input, R20, RoHS
	LCD-KIT170GM-R20	17" 300cd/m ² SXGA TFT LCD kit, VGA and DVI-D input, 9~36V DC input, R20, RoHS
19"	LCD-KIT190G-R20	19" 300cd/m ² SXGA TFT LCD kit, VGA and DVI-D input, R20, RoHS
	LCD-KIT190GM-R20	19" 300cd/m ² SXGA TFT LCD kit, VGA and DVI-D input, 9~36V DC input, R20, RoHS

Note: The smartOSD function is supported by revision 11 models and above

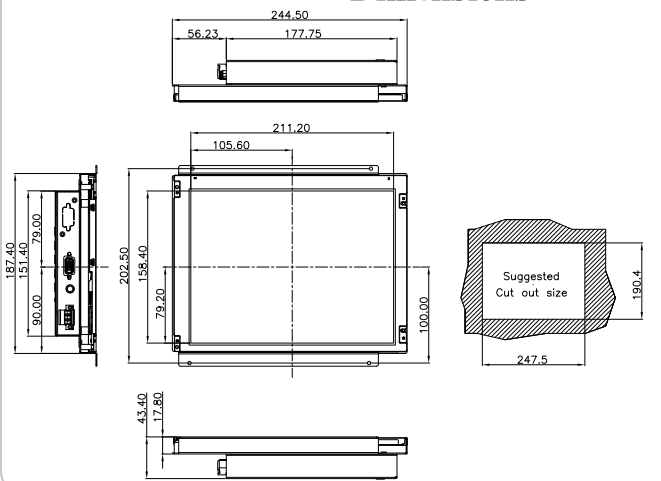
LCD-KIT65GH
Dimensions (Unit: mm)



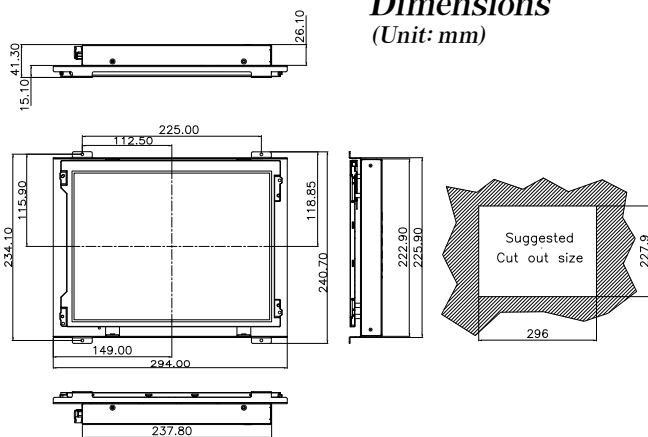
LCD-KIT84GH
Dimensions (Unit: mm)



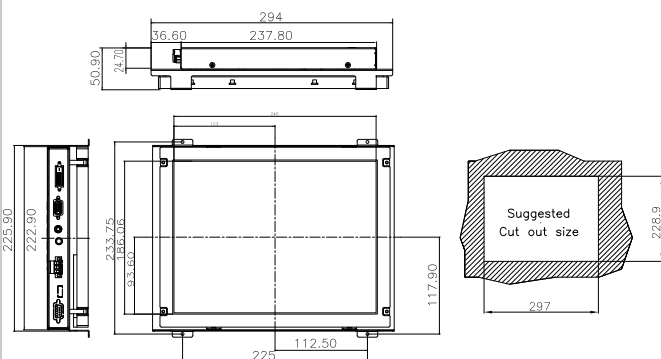
LCD-KIT104GH
Dimensions (Unit: mm)

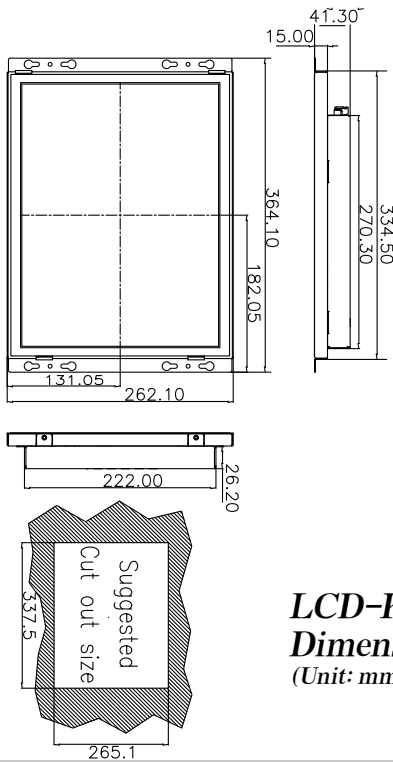


LCD-KIT121G
Dimensions (Unit: mm)

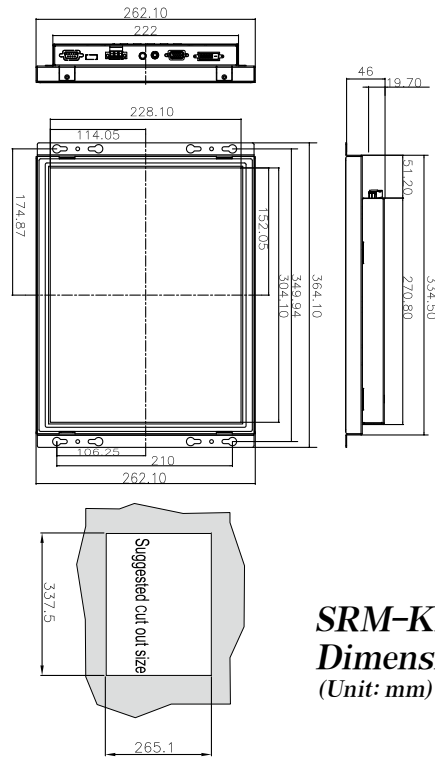


SRM-KIT121G
Dimensions (Unit: mm)

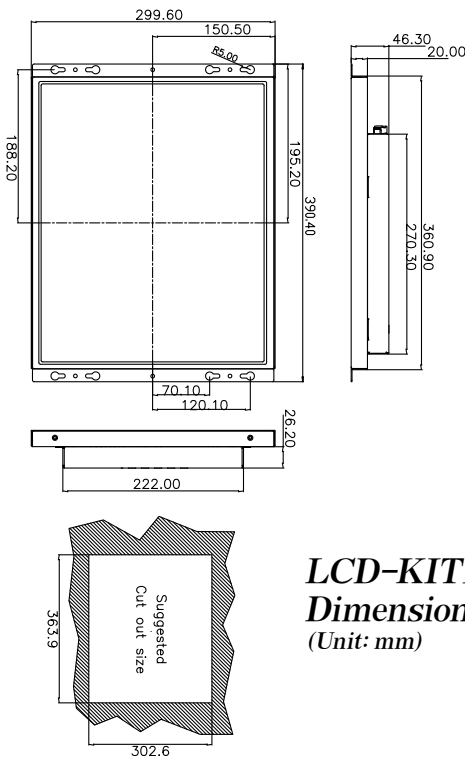




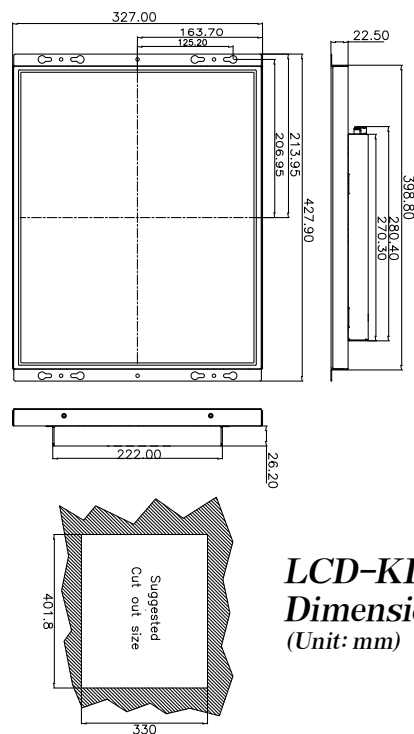
LCD-KIT150G
Dimensions
(Unit: mm)



SRM-KIT150G
Dimensions
(Unit: mm)



LCD-KIT170G
Dimensions
(Unit: mm)



LCD-KIT190G
Dimensions
(Unit: mm)