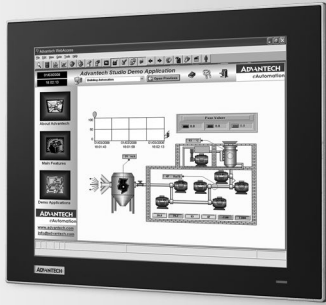


WebOP-3120T

12" XGA Cortex™ - A8 Operator Panel with Wide Operating Temperature Range

NEW



Features

- RISC 32 bits TI ARM® Cortex™-A8 processor
- Various LCD sizes (7", 10.1", 12")
- Full line LED BL TFT LCD with 50K life time
- Embedded Microsoft® WinCE 6.0 OS
- Bundle Panel Express HMI Runtime software (300 tags)
- Backup Memory FRAM in 128KB (64 words) without battery concern
- Power & Terminal I/O ports isolation protection
- -20°C ~ 60°C wide operating temperature range
- Supports CANopen library registered by CiA 301 V4.02
- RS-422/RS-485/CAN terminal I/O ports support Termination Resistor 120Ω
- Front panel IP66 compliant
- Die-cast aluminum alloy front bezel
- Level 4 ESD protection (Air:15KV / Contact:8KV)
- Industrial Control Equipment - UL 508 certification

Introduction

With a brand-new ID design, the WebOP-3120T provides stringent standards required in the automation market. Advantech offers the WebOP-3120T with Cortex™-A8 processor which consumes minimum power without sacrificing performance. The WebOP-3000T supports a variety of LCD sizes from 4.3" to 12" for different applications involving the use of PLCs, motion/thermal controllers, inverters and sensors. It's also provided with a wide operating temperature range to fulfill the requirements of harsh environments. The built-in Microsoft® WinCE 6.0 OS platform which bundles WebOP Designer lets the WebOP-3120T become a control HMI solution for flexible system integration.

Specifications

General

- **Certification** CE, BSMI, CCC, UL, FCC Class A
- **Dimensions (WxHxD)** 311.8 x 238 x 54.5 mm (12.28" x 9.37" x 2.15")
- **Cut-out Dimensions** 302.5 x 228.5 mm (12.1" x 9.14")
- **OS Support** Microsoft® Windows CE 6.0
- **Power Input** 24 V_{DC} ±10%
- **Power Consumption** 20 W
- **Enclosure Housing** PC + ABS
- **Mounting** Panel
- **Weight (Net)** 2.5 kg (5.51 lb)

System Hardware

- **CPU** RISC 32 bits, 600 MHz (ARM® Cortex™-A8)
- **Backup Memory** FRAM 1M bit (=128K Byte, 64 word)
- **Memory** DDR2 256M Bytes
- **Storage** 512MB on board SLC type
- **Power-On LED** Yes

Communication Interface

- **COM1** RS-232/RS-422, RS-485 (DB9), 300~115.2 kbps
- **COM2** RS-422/RS-485 (Terminal 4 pin+Ground), 300~115.2 kbps
- **COM3** RS-485 (Terminal 2 pin), 300~115.2 kbps
- **CAN** Terminal 2 pin
- **Ethernet (RJ45)** 10/100-BaseT
- **I/Os**
 - USB Client USB 2.0 Client x 1
 - USB Host USB 2.0 Host x 1 (Top)
 - Micro-SD Slot Yes
 - Audio 1 Line-out / 1 Mic-in

LCD Display

- **Display Type** XGA TFT LCD
- **Display Size** 12"
- **Max. Resolution** 1024 x 768
- **Max. Colors** 64K
- **Luminance (cd/m²)** 500
- **Viewing Angle (H/V)** 160/140
- **Backlight Life** LED, 50,000 hrs
- **Dimming** Adjustable by touch panel
- **Contrast Ratio** 500:1

Touchscreen

- **Lifespan** 36 million touches at 8mm-diameter finger point through silicone rubber bearing at least 250g 2 times per second.
- **Light** Transmission Above 80%
- **Resolution** Linearity
- **Type** 5-wire, analog resistive

Environment

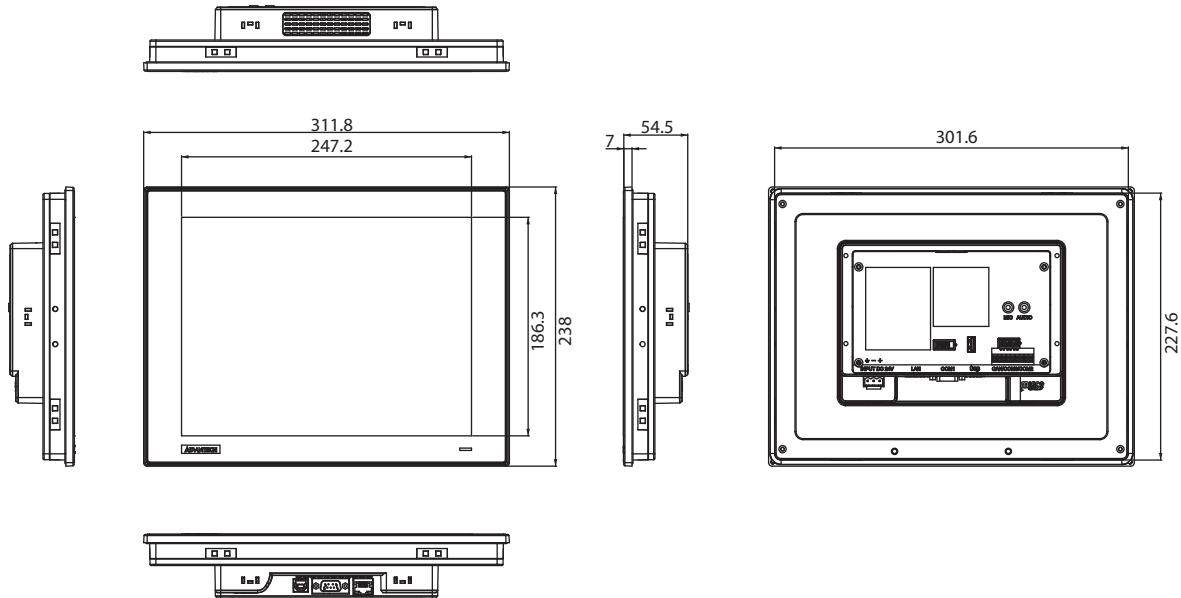
- **Operating Temperature** -20 ~ 60°C (-4 ~ 140°F)
- **Storage Temperature** -30 ~ 70°C (-22 ~ 158°F)
- **Humidity** 10% ~ 90% RH @ 40°C, non-condensing
- **Ingress Protection** Front panel: IP66
- **Vibration Protection** Operating, random vibration 1 Grms (5 ~ 500 Hz)

Ordering Information

- **WOP-3120T-C4AE** 12" XGA, Cortex™-A8, 256MB DDR, WinCE 6.0

Dimensions

Unit: mm



Panel Cut-out Dimensions: 302.5 x 228.5 mm (12.1" x 9.14")

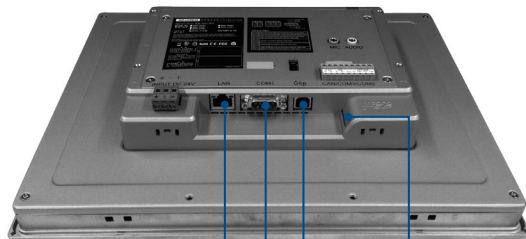
Accessories

- **PWR-247-BE** 63W DC 24V/2.62A Output Power Supply
- **WOP-3000T-WMKE** WOP-3000T Series Wallmount Kits
- **1702002600** Power Cable US Plug 1.8 M
- **1702002605** Power Cable EU Plug 1.8 M
- **1702031801** Power Cable UK Plug 1.8 M
- **1700000596** Power Cable China/Australia Plug 1.8 M

Automation Software

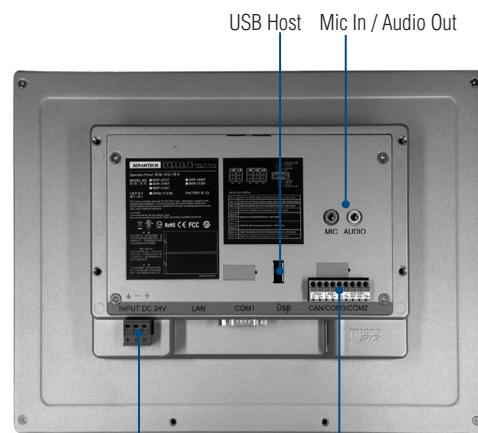
- **968WEXP015E** PanelExpress V2.0 1500 tags S/W license (WinCE)
- **968WEXP050E** PanelExpress V2.0 5000 tags S/W license (WinCE)

Base View



Ethernet USB Client
COM1 (RS-232/422/485) Micro SD Slot

Rear View



Isolation Power Input Isolation Terminal I/O Ports



Isolation Terminal I/O Ports