



Model:I-7058



Model:I-7058D

**I-7058 /  
I-7058D**   
8-channel Isolated AC Voltage  
Digital Input Module

**Specifications**

**Digital Input**

Channels	8
Input Type	AC, Differential, isolated
Off Voltage Level	30VAC max.
On Voltage Level	80 ~ 250VAC
AC Frequency	50~60Hz (> 45Hz Min.)
Input Impedance	68K Ohm, 1W
Counters	channels : 8 Max. Input Frequency : 100Hz Min. Pulse Width : 5ms
Photo-Isolation	5000Vrms

**Interface**

Interface	RS-485
Format	N, 8, 1
Baud Rate	1200 ~ 115200bps

**LED Display**

1 LED as Power/ Communication indicator  
8 LEDs as Digital Input indicators (for I-7058D)

**Power**

Input Voltage Range	10~30VDC
Power Consumption	0.3W (I-7058) / 1.0W (I-7058D)

**Environment**

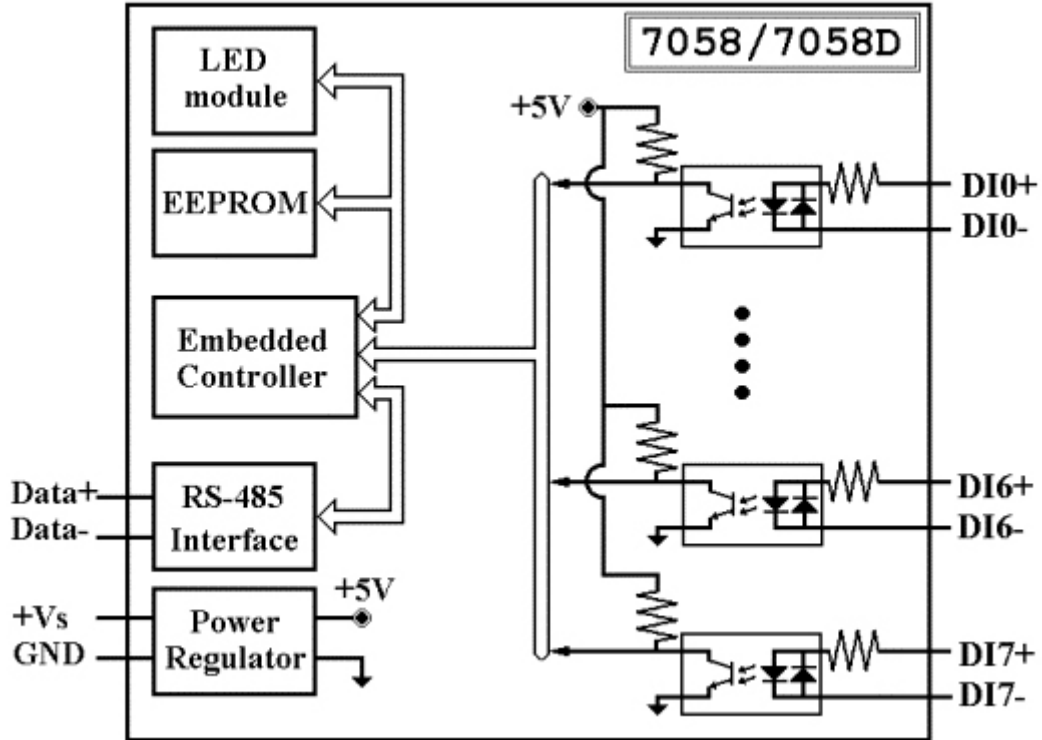
Operating Temperature	-25 to 75°C
Storage Temperature	-40 to 85°C

**Ordering information**

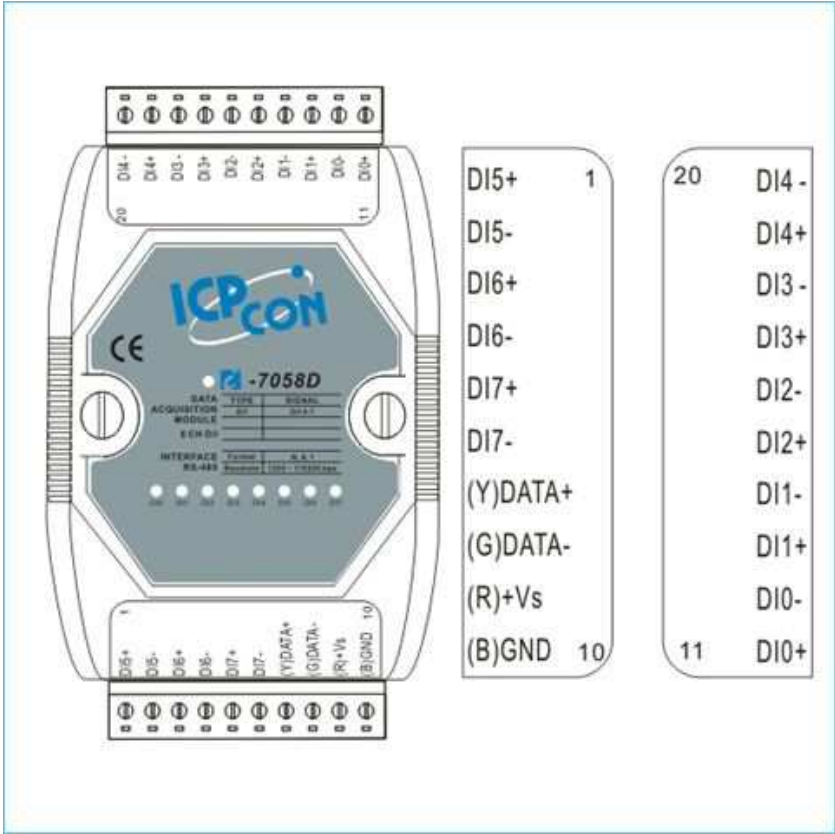
I-7058	8-channel Isolated AC Voltage Digital Input Module
I-7058D	I-7058 with LED Display
I-7058 CR	8-channel Isolated AC Voltage Digital Input Module (RoHS)
I-7058D CR	I-7058 with LED Display (RoHS)

# I-7058/I-7058D Hardware

## Internal I/O Structure



# PIN Assignment



## Wire Connection

### Digital Input

