

# PPC2-CW15-ADL

**IEI Heavy Industrial Panel PC**

Powered by Intel® Alder Lake-S platform

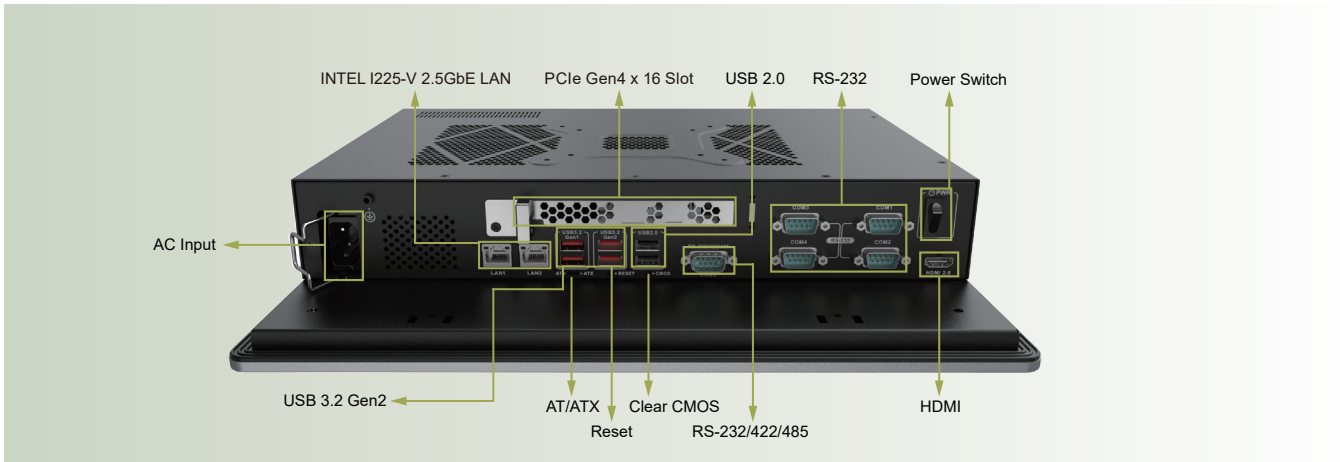


**IEI**

[WWW.IEIWORLD.COM](http://WWW.IEIWORLD.COM)

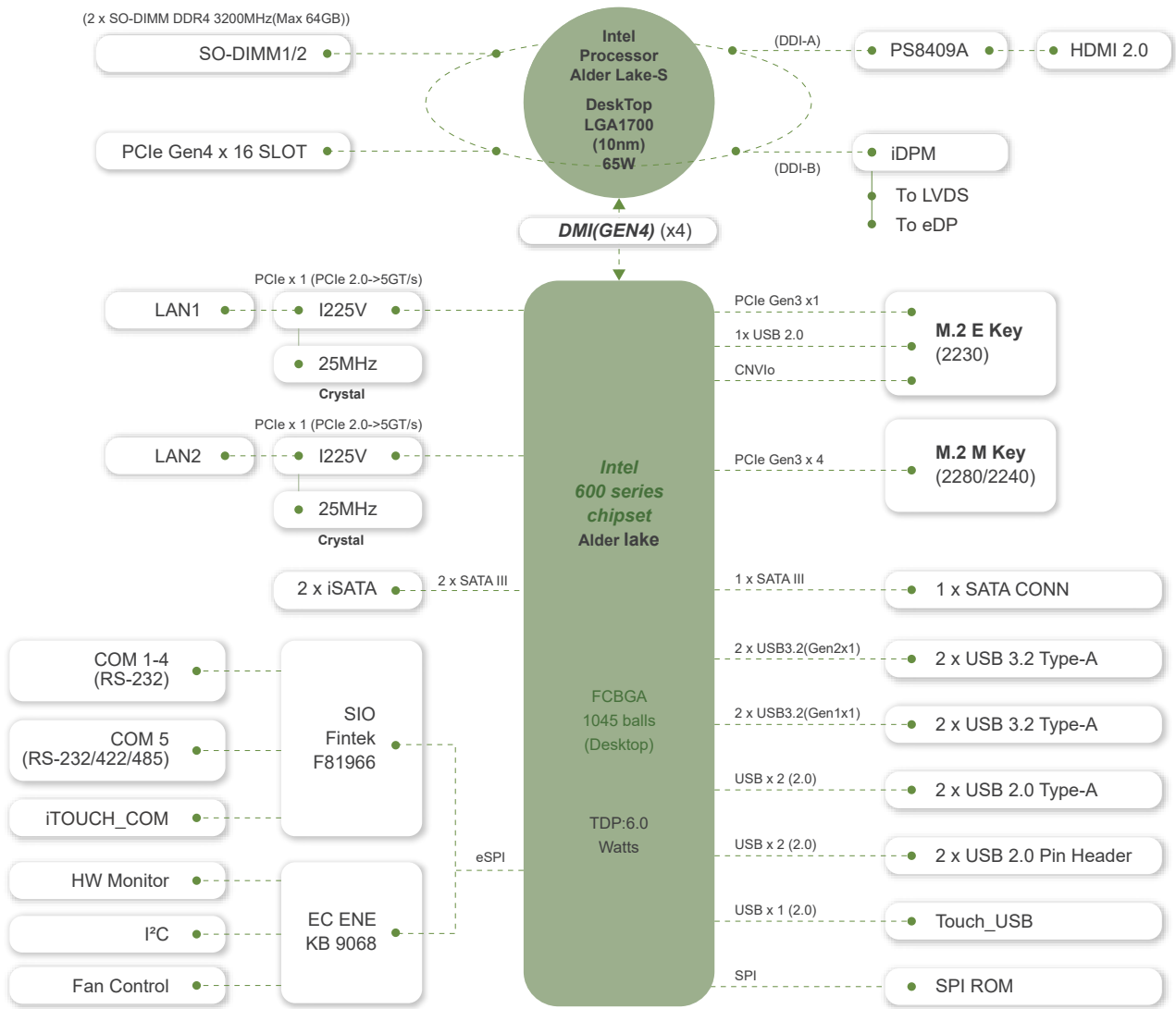


# PPC2-CW15-ADL I/O

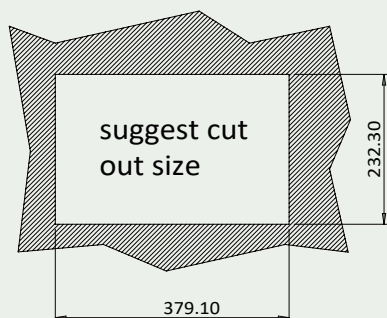
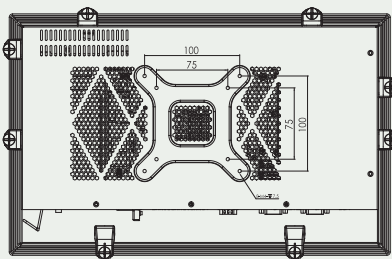
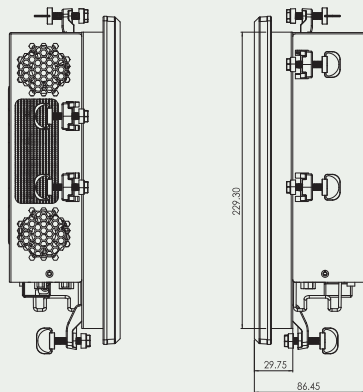
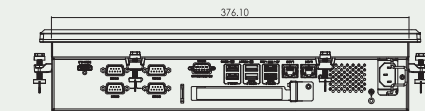
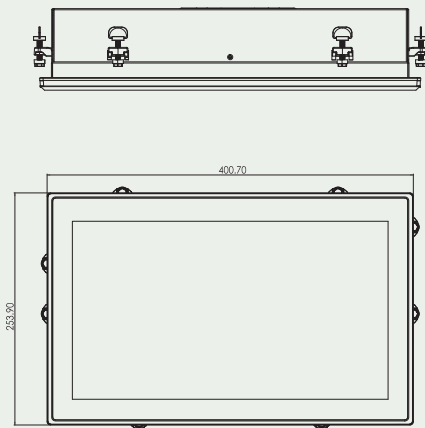


## PPC2-CW15-ADL Block Diagram

PPC2-CW15-ADL Block Diagram



## Dimensions



## Specifications

Model	PPC2-CW15-ADL	
LCD Display	15.6" (16:9)	
Resolution	1920 (W) x 1080 (H)	
Brightness	400 cd/m <sup>2</sup>	
Contrast Ratio	500: 1	
LCD Color	16.2M	
Pixel Pitch (mm)	0.252 x 0.252	
Viewing Angle (H-V)	170°/160°	
Backlight MTBF	50000 hours	
SBC Model	PPC2MB-ADL-S-R10	
CPU	12th Gen Intel® Core™ i9/i7/i5/i3 and Pentium® Processor (LGA1700)	
Chipset	Intel H610	
Graphics Engine	New Intel® Xe Graphics architecture with SRIOV, Genlock	
Display Output	1 x HDMI 2.0	
Memory	Two 260-pin 3200 MHz Dual-Channel DDR4 SO-DIMM (Max:64GB)	
Touchscreen	multi-point projected capacitive type Surface hardness: ≥7H	
Touch Controller	Projected capacitive type: EETI 80	
Storage	1 x 2.5" SATA HDD bay (Height limit:7.5mm)	
Ethernet	LAN1: Intel® I225 + LAN2: Intel® I225 1 x PCIe Gen4 x 16 Slot with x16 Signal	
Expansion	1 x M.2 E-Key 2242 (PCIe Gen3 x 1 + CNVI) 1 x M.2 M Key 2242/2280 NVMe (PCIe Gen3 x 4)	
Mounting	VESA 100mm x 100mm, 75mm x 75mm Panel, Wall, Rack, Stand And Arm	
Construction Material	Aluminum front cover and sheet metal rear cover	
Enclosure Color	Black C	
I/O Ports, Switches and Buttons	1 x HDMI 2.0 2 x 2.5GbE RJ45 2 x USB 2.0 (Type-A) 2 x USB 3.2 Gen1 (Type-A) (5Gb/s) 2 x USB 3.2 Gen2 (Type-A) (10Gb/s) 1 x RS-232/422/485 (RS-485 support AFC)	4 x RS-232 1 x Power terminal block 1 x Power switch 1 x Clear CMOS button 1 x Reset button 1 x AT/ATX switch
Power Supply	ATX/AT power supply Support AT/ATX mode ErP/EuP Compliant	
Power Consumption	TBD	
Thermal Solution	Smart Fan (2xCPU FAN, 2xSYS FAN)	
TPM	Intel® Platform Trust Technology	
Watchdog Timer	Software Programmable Support 1~255 sec. system reset	
Operating Temperature (with air flow)	-10°C ~ 60°C	
Storage Temperature	-20°C ~ 60°C	
Humidity	10% ~ 95%, non-condensing	
IP Level	IP 65 compliant front panel	
Safety and EMC	CE, FCC Class A	
ErP	ErP 2009/125/EC	
Dimensions(H x W x D) (mm)	400.70 x 253.90 x 86.45	
Net Weight	TBD	

## Packing List

1 x Power Cord	1 x QIG
1 x Panel Mount Kit	1 x Screw Pack

## Ordering Information

PPC2-CW15-ADL-i7/4G-R10	15.6" 400 cd/m <sup>2</sup> 1920x1080 Panel PC with 12th Intel® Core™ i7-12700 Processor (25M Cache, up to 4.90 GHz), TDP 65W, 4GB DDR4, HDMI Output, 1*PCIe Gen4 x 16 Slot, 1*M.2 2242, 1*M.2 2280, ATX/AT power supply, PCAP touchscreen with AG, R10
PPC2-CW15-ADL-i5/4G-R10	15.6" 400 cd/m <sup>2</sup> 1920x1080 Panel PC with 12th Intel® Core™ i5-12400 Processor (18M Cache, up to 4.40 GHz), TDP 65W, 4GB DDR4, HDMI Output, 1*PCIe Gen4 x 16 Slot, 1*M.2 2242, 1*M.2 2280, ATX/AT power supply, PCAP touchscreen with AG, R10
PPC2-CW15-ADL-i3/4G-R10	15.6" 400 cd/m <sup>2</sup> 1920x1080 Panel PC with 12th Intel® Core™ i3-12100 Processor (12M Cache, up to 4.30 GHz), TDP 60W, 4GB DDR4, HDMI Output, 1*PCIe Gen4 x 16 Slot, 1*M.2 2242, 1*M.2 2280, ATX/AT power supply, PCAP touchscreen with AG, R10
PPC2-CW15-ADL-P/4G-R10	15.6" 400 cd/m <sup>2</sup> 1920x1080 Panel PC with 12th Intel® Pentium® Gold G7400 Processor (6M Cache, 3.70 GHz), TDP 46W, 4GB DDR4, HDMI Output, 1*PCIe Gen4 x 16 Slot, 1*M.2 2242, 1*M.2 2280, ATX/AT power supply, PCAP touchscreen with AG, R10

## Options

Item	Part No.	Description
Arm	ARM-31-RS	VESA 75/100 Desk ARM
Stand	STAND-C19-R10	VESA 75/100 Easy Stand
Wall	AFLWK-19B	Monitor Wall mounting kit
OS	WIN10-IOTE2019-H-RS	Win10 IoT Ent LTSC 2019 MultiLang OEI High End
WiFi Kit	EMB-WIFI-KIT02I3-R10	2T2R M.2 WiFi Module, WiFi6E & Bluetooth 5.2