

DM2-150E

IEI's Latest Generation Industrial Monitor

- Front OSD, easy access for setting adjustment
- Speakers positioned at the front, ensuring clear sound delivery even in panel mount
- Supports gloved operation and waterproof protection
- Built-in camera, ideal for AI facial recognition
- USB 3.2 Gen1 Type-A supports 10W
- IP65 compliant front panel with aluminum frame
- Anti-glare and anti-UV PCAP



www.ieiworld.com



DM2-150E

The DM2 series LCD monitor is the latest member of IEI's line of sophisticated LCD designs with flat bezel. It is designed to fit industrial automation. The flat front panel provides IP 65 protection, which effectively wards off dust and water. Flexible analog or digital interfaces are provided for ease of connection with a management computer.



Front-accessible OSD

The front-accessible OSD lets you easily control brightness, volume, and power on/off.



Support HDMI, VGA, DP

The DM2 series offers different display interfaces, such as HDMI, VGA, and DP, to suit various requirements.



Anti-glare and Anti-UV PCAP

With anti-glare and anti-UV coating, the 10-point touchscreen can display clearly without reflection for a long time use in outdoors and bright light environment.



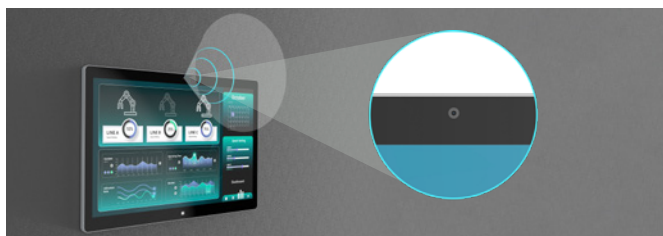
IP65 rated front panel protection

With the IP65 front panel protection rating, this series is more durable and rugged, ensuring reliable operation in harsh industrial environments.



Built-in Camera

The DM2 series, equipped with a built-in camera, is perfectly suited for AI facial recognition applications.

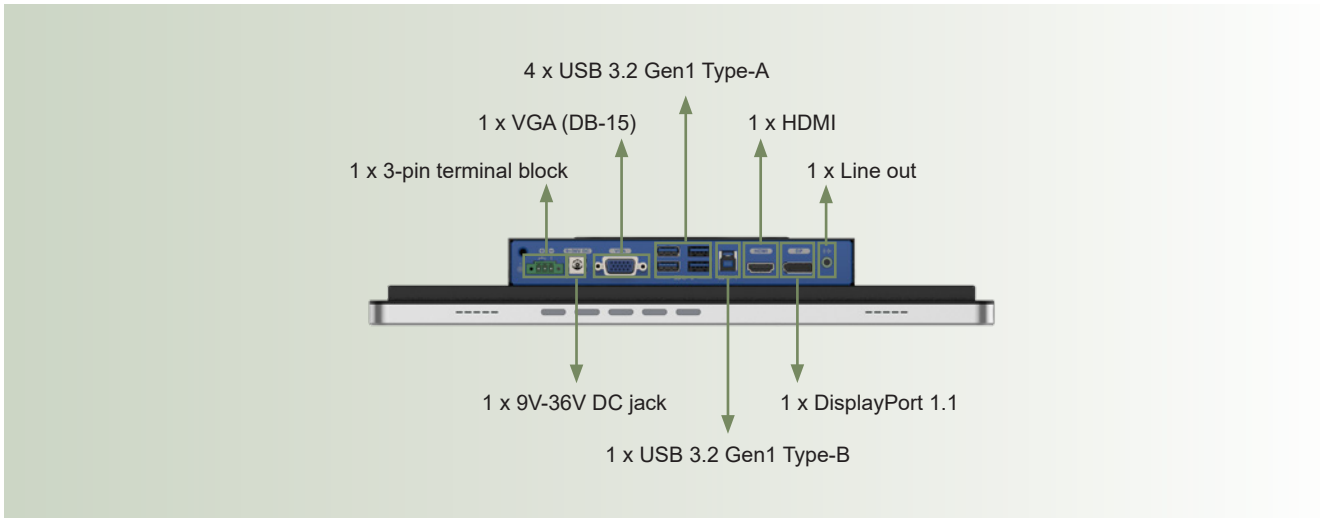


Front Speakers

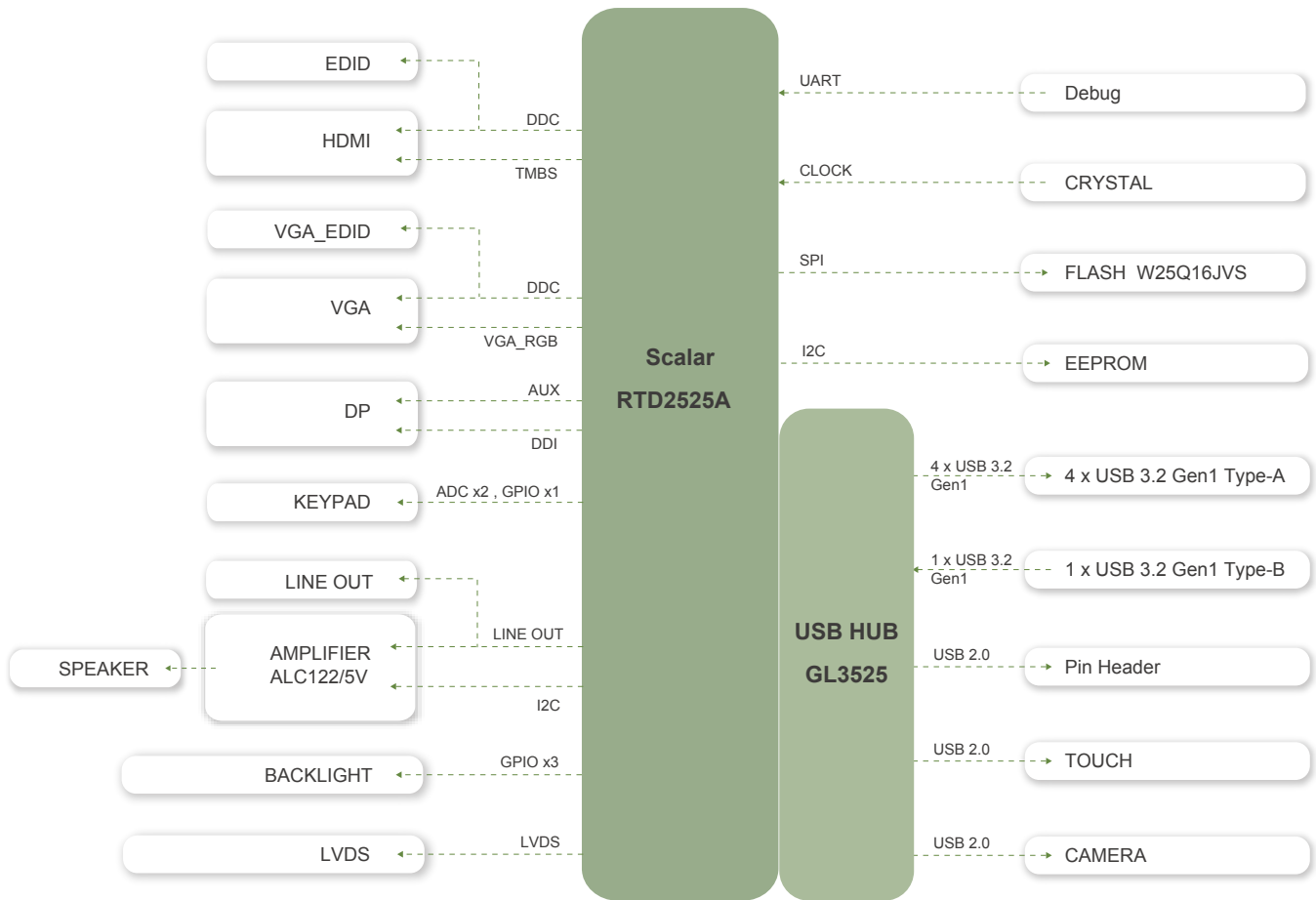
The speakers are positioned at the front to guarantee clear sound delivery, even when panel-mounted.



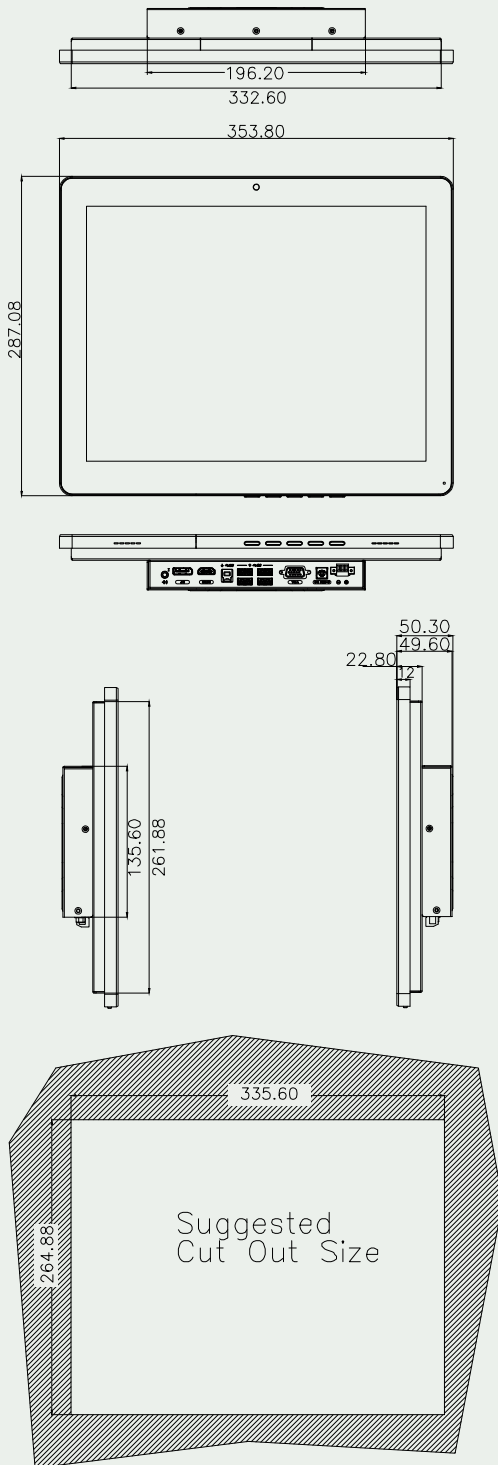
Fully Integrated I/O



Block Diagram



Dimensions (Unit: mm)



Specifications

| | | |
|---------------------------------|--|---|
| Model Name | DM2-150E(L) | |
| LCD Size | 15"(4:3) | |
| Brightness (cd/m ²) | 350 | |
| Max Resolution (W-H) | 1024x768 | |
| Contrast Ratio | 1000 : 1 | |
| LCD Color | 16.2M | |
| Viewing Angle (H-V) | 178°/178° | |
| Backlight MTBF (hrs) | 50000 | |
| Touch Screen | 10-point projected capacitive touch window (anti-UV, anti-glare surface) | |
| Touch Controller | Capacitive: LiTek | |
| I/O Ports and Switches | 1 x VGA (DB-15) 1 x HDMI 1 x USB 3.2 Gen1 Type-B 4 x USB 3.2 Gen1 Type-A * | 1 x Line out 1 x DisplayPort 1.1 1 x 9V-36V DC jack 1 x 3-pin terminal block |
| OSD Keypad | 5-key membrane OSD keypad | |
| Camera | Standard configuration* | |
| Speaker | 2 x 2W AMP (internal speaker)* | |
| Construction Material | Aluminum front frame and sheet metal rear cover | |
| Mounting | Panel mount, rack mount, VESA 100 | |
| Enclosure Color | Black | |
| Dimensions (LxWxH) (mm) | 353.80 x 287.08 x 50.30 | |
| Cutout Dimensions (mm) | 335.60 x 264.88 | |
| Operating Temperature | -20°C ~ 60°C (with air flow) | |
| Storage Temperature | -20°C ~ 70°C | |
| Humidity | 10% to 95%@40°C (non-condensing) (50%@60°C) | |
| Vibration | MIL-STD-810F 514.5C-1 | |
| Shock | Operating:Half-sine wave shock 5G; 11ms; 100 shocks per axis No-operating:Half-sine wave shock 15G; 11ms; 100 shocks per axis | |
| IP Level | IP 65 compliant front panel | |
| Safety & EMC | CE/FCC/UKCA Class A | |
| Power Input | 9~36V DC | |
| Power Cord | EU | |

* L (Lite) without Camera, Speaker, USB-A x 4

Ordering Information

| | |
|---------------|--|
| DM2-150E-R10 | 15.0" 350 cd/m ² 1024 x 768 monitor, VGA, HDMI, DisplayPort, with USB 3.0 HUB, USB PC touch screen, 9 ~36V DC input, Speaker, Camera, R10 |
| DM2-150EL-R10 | 15.0" 350 cd/m ² 1024 x 768 monitor, VGA, HDMI, DisplayPort, with USB 3.0 HUB, USB PC touch screen, 9 ~36V DC input, Lite, R10 |

Packing List

| Item | P/N | Q'ty | Remark |
|----------------------|--|------|--|
| USB-touch Cable | 32001-032200-100-RS | 1 | USB 3.0 Type-A to Type-B cable, 100 cm |
| 3-pin Terminal Block | 33502-000188-RS | 1 | / |
| VESA Screws | 44033-040062-RS | 4 | M.4 |
| Panel Mount Kit | 19XM0SFE0-0004601-000-RS 19XM0SFE0-0004602-000-RS | 1 | / |

Options

| Item | Part No. |
|---------------|--|
| Stand | STAND-C19-R10; STAND-A21-R10 |
| Wall Mount | AFLWK-19B |
| Power Adapter | 63040-430084-000-RS; 63040-010096-050-RS; 63040-410060-000-RS (For Lite) |
| Power Cord | 32702-000202-100-RS |