

AFL4-W121-ADLP

IEI Light Industrial Panel PC

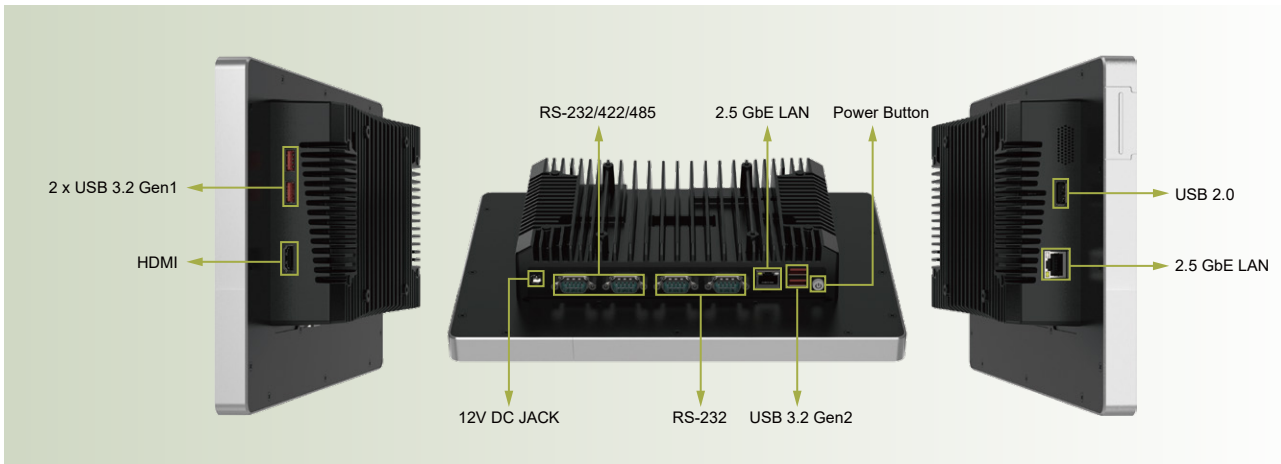
Powered by Intel® Alder Lake-P Platform



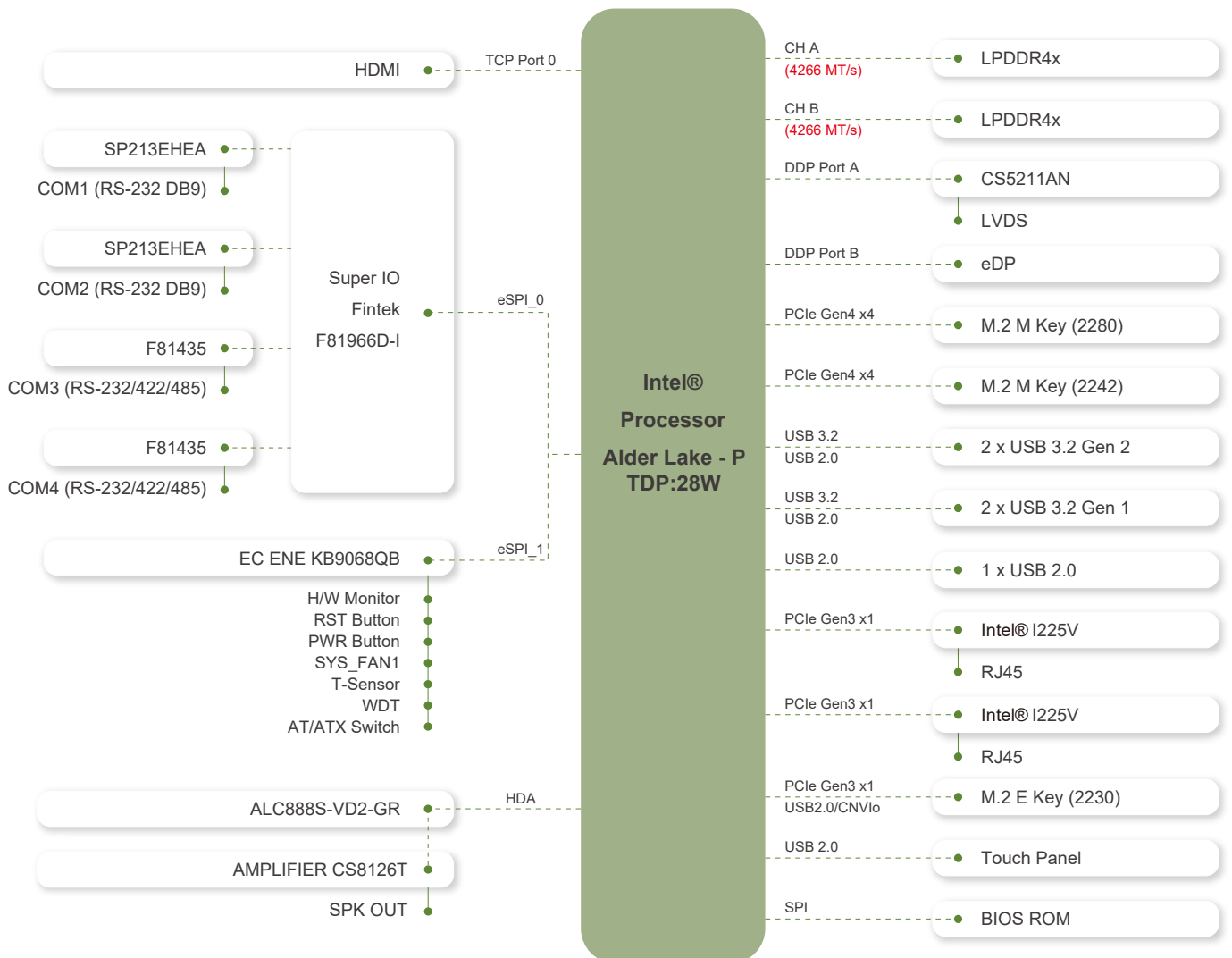
WWW.IEIWORLD.COM



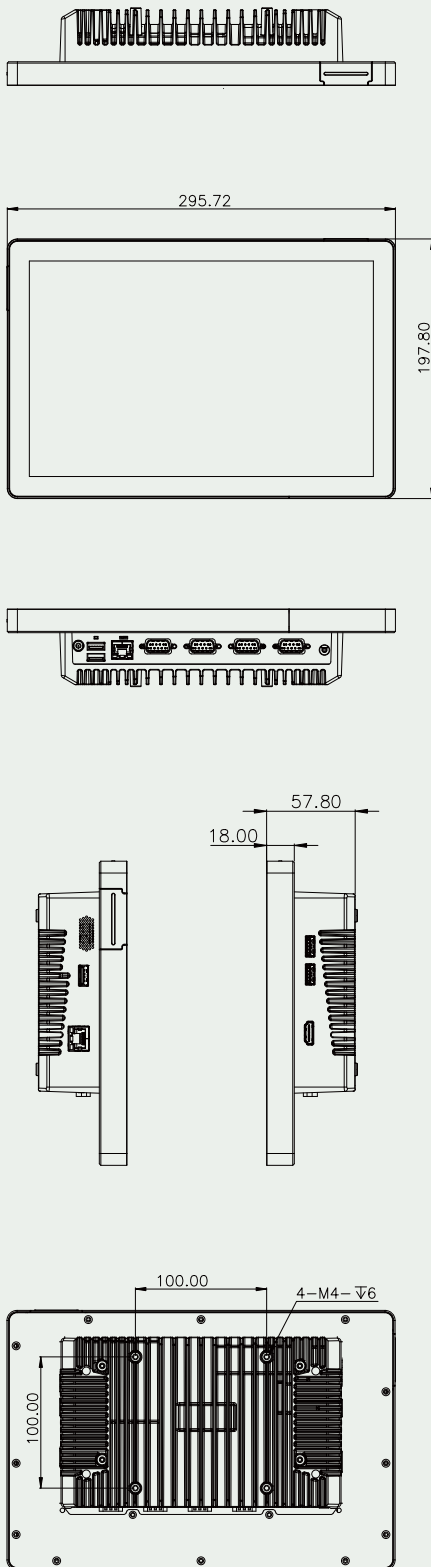
AFL4-W121-ADLP I/O



AFL4-W121-ADLP Block Diagram



Dimensions



Specifications

Model	AFL4-W121-ADLP
LCD Display	12.1" (16:10)
Resolution	1280 (W) x 800 (H)
Brightness	450 cd/cm ²
Contrast Ratio	1200:1
LCD Color	16.2M
Viewing Angle (H-V)	170°/170°
Backlight MTBF	50,000 hours
CPU (SoC)	12th Generation Intel® Core™ i7/i5/i3 Processor (Alder Lake-P)
Memory	Dual-channel 8GB LPDDR4x on-board
Touchscreen	Multi-point projected capacitive type (anti-UV / anti-glare coating, support gloves)
Touch Controller	Surface hardness: ≥7H Projected capacitive type: EETI 80
Ethernet	LAN1: Intel® I225V 2.5GbE controller LAN2: Intel® I225-LM 2.5GbE controller (support Intel® AMT)
Expansion	1 x M.2 M key 2242 (PCIe Gen4 x4) 1 x M.2 M key 2280 (PCIe Gen4 x4)
Mounting	VESA 100, Panel, Wall, Rack, Stand and Arm
Construction Material	Aluminum front cover and sheet metal rear cover
Enclosure Color	Silver+Black
I/O Ports, Switch	2 x RS-232 by DB9 2 x RS-232/422/485 by DB9 2 x 2.5GbE LAN 2 x USB 3.2 Gen2 2 x USB 3.2 Gen1 1 x USB 2.0 1 x HDMI output 1 x 12V DC Jack 1 x Power button 1 x Reset button 1 x AT/ATX switch
Wireless & Bluetooth	IEEE 802.11ax 2T2R module (Wi-Fi 6E) with BT v5.2 (M.2 2230 A-key)
Thermal Solution	Fanless
Power Input	DC 12V
TPM	Intel® Platform Trust Technology
Watchdog Timer	Software Programmable support 1~255 sec. system reset
Operating Temperature (with air flow)	-10°C ~ 50°C
Storage Temperature	-20°C ~ 60°C
Humidity	10% ~ 95%@40°C, non-condensing
IP Level	IP 64 compliant front panel
Safety and EMC	CE, FCC Class A, UKCA
Operation Vibration	MIL-STD-810G 514.6C-1 (with SSD)
Operation Shock	Half-sine wave shock 5G; 11ms; 100 shocks per axis
Dimensions (H x W x D)	295.72 x 197.80 x 57.80 (mm)
Net Weight	TBD
ErP	ErP 2009/125/EC
OS	Windows 10/11 IoT, Linux

Packing List

1 x Power Cord	1 x Power Adapter
1 x QIG	1 x Thermal Pad

Ordering Information

AFL4-W121-ADLP-i7/8G-R10	12.1" 450cd/m ² 1280x800 fanless panel PC with Intel® Core™ i7-1260P on-board processor, 8GB LPDDR4x on-board, Wi-Fi 6E and Bluetooth 5.2 module, PCAP touch, 12V DC, R10
AFL4-W121-ADLP-i5/8G-R10	12.1" 450cd/m ² 1280x800 fanless panel PC with Intel® Core™ i5-1260P on-board processor, 8GB LPDDR4x on-board, Wi-Fi 6E and Bluetooth 5.2 module, PCAP touch, 12V DC, R10
AFL4-W121-ADLP-i3/8G-R10	12.1" 450cd/m ² 1280x800 fanless panel PC with Intel® Core™ i3-1260P on-board processor, 8GB LPDDR4x on-board, Wi-Fi 6E and Bluetooth 5.2 module, PCAP touch, 12V DC, R10

Options

Item	Part No	Description
Arm	ARM-11-RS	VESA 75/100 Desk Arm
Stand	STAND-C12-R10	VESA 75/100 Easy Stand
V-Stand	VSTAND-A10-R11	Stand V Type, VESA 75/100
Wall	AFLWK-19B	Monitor Wall Mount Kit
OS	TBD	TBD

Mouser Electronics

Authorized Distributor

Click to View Pricing, Inventory, Delivery & Lifecycle Information:

IEI:

[AFL4-W121-ADLP-C/8G-R10](#)