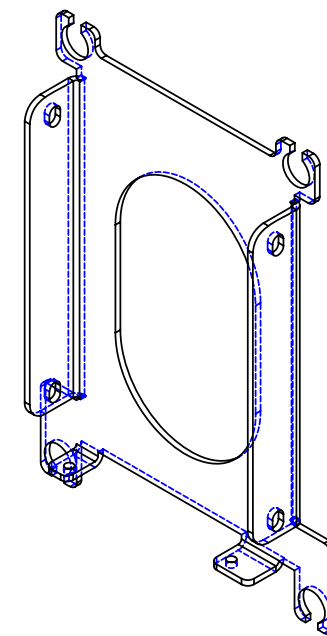
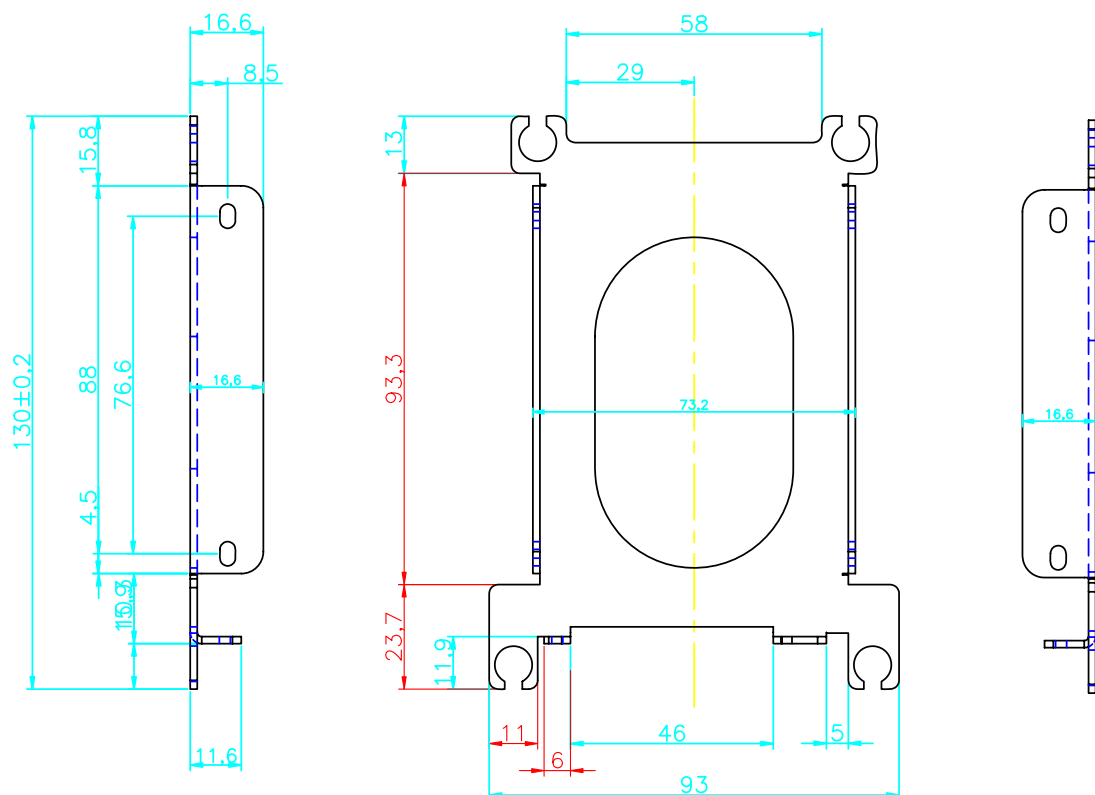


代码	品名规格	数量	备注
A			
B			
C			
D			



Sustance	Quantity
Hg	<1000ppm
Pb	<1000ppm
Cd	<100ppm
Cr+6	<1000ppm
Polybrominated Biphenyls	<1000ppm
Polybrominated Diphenyl Ether	<1000ppm
The max. weight percentage which the lead is contained in the steel is 0.05%Pb	
The max. weight percentage which the lead is contained in the aluminum is 0.04%Pb	
The max. weight percentage which the lead is contained in the copper is 4%Pb	

- Notes:
1. 材質:SECC
板厚:T=1.6mm
 2. 表面处理:按工令单处理
 3. 不可有锐利毛边
 4. 单套用量:1pcs
 5. 外形未标注R角均为R2
 6. 接点清理干净
 7. RoHS Compliant - The following list of Hazardous sustances which are contained in the products should be less than



REV	DESCRIPTION	SIGN	DATE
5			
4			
3			
2			
1			

RANGE Common (mm)	APPROV		
Tolerance	CHECK		
0~6 ±0.10	DESIGN	徐加友	09.07.29
6~30 ±0.15	DRAWN	刘川	12.09.07
30~120 ±0.20	UNIT:mm	SCALE:1:1	MODEL
120~400 ±0.30	SIZE: A4		HDD 架 (SATA)
400~ ±0.40	FILE NO:	41019-0390C0-00-RS	PART NO:
ANGLE ±1°			411515008000-RS

