

# MES 6415

15" aluminum casing Manufacturing Execution System  
Panel PC Intel Celeron processor



## Features

- True flat PCT or 5-wire resistive type touchscreen supported
- Ruggedized IP66 compliant unit
- NANO coating for easy cleaning and maintenance
- Aluminum casing with ventless and fanless design
- Removable SSD
- Chemical treated and strengthen glass touch panel
- Shock tested using Procedure 1G
- Optional - 2nd LAN and wireless LAN

RoHS CE FC

## Introduction

The SENOR MES 6415 is a robust and integrated Manufacturing Execution System with fanless and ventless design specifically developed to be utilized in harsh environments. Featuring operational effective interface, it aims at enhancing work efficiency and offers safe working environments at the forefront. Its whole aluminum die casting case design without button mechanism aids to increase reliability of the unit without compromising on the functionality. Its compact design is compatible with various mounting solutions and is suitable for various industrial applications such as access control and factory automation.

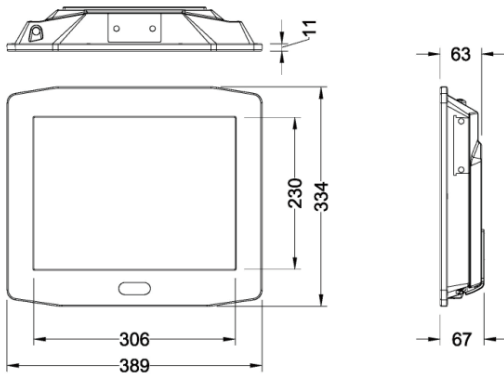
## Specifications

Model No.	MES 6415PC	MES 6415R
CPU	Intel Celeron J6412 (1.5M Cache, 2.60 GHz)	
System Memory	2* DDR4 SO-DIMM Max. 32GB	
TPM	Intel PTT / TPM 2.0	
<b>LCD Touch Panel</b>		
LCD Size, Resolution	15" TFT LCD, 1024*768	
Touch Type	True flat PCT (Projected Capacitive touch)	Resistive Touch
<b>Connectivity</b>		
Storage devices	1* PCIe Gen3x4 NVMe M.2 2280 SSD, 1*SATAIII M.2 2280 expansion socket	
Giga LAN	1*RJ-45 (10/100/1000 Mbps)	
USB	2*USB2.0, 3*USB3.0	
COM port	3*RJ48 (COM2/COM3/COM4)	
External Display	1	
Keyboard	1*PS/2	
Audio	2*Built-in Speakers, 1*Mic/Line out	
<b>Mechanical &amp; Environment</b>		
Dimensions & Weight	389 * 96 * 334 mm(built-in AC adapter)/ 389 * 67 * 334 mm(external AC adapter), 8 kgs	
Safety Certifications & IP Rating	FCC/CE, IP 66 Compliance	
Storage & Operating Temp.	-20°C ~ 60°C, 0°C ~ 40°C	
Relative Humidity	10% ~ 90% (non-condensing)	
Power Consumption	60 W maximum	
<b>Software</b>		
Operation System support	Windows 10 Pro, Windows 11 Pro, Windows 10 IoT Entry, Windows 11 IoT Entry	
<b>Peripheral Options</b>		
Wireless LAN	802.11 b/g/n	

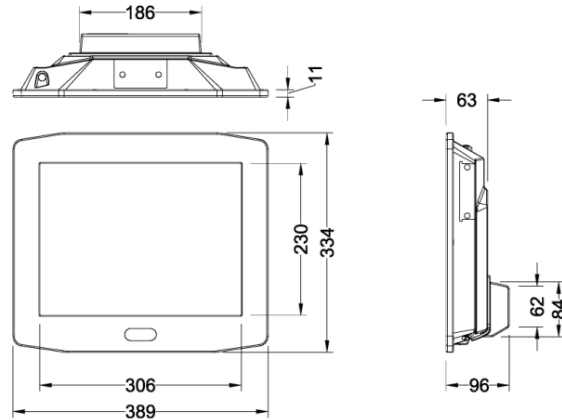
## Dimensions

Unit: mm

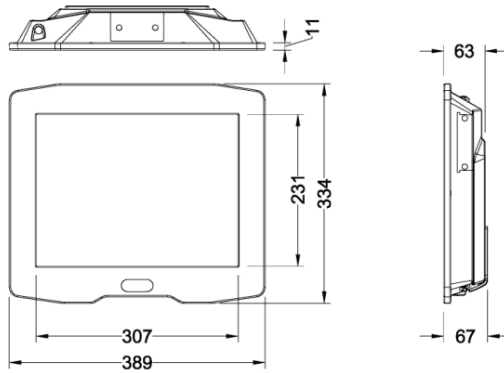
MES 6415PC  
389\*67\*334(mm) - External AC adapter



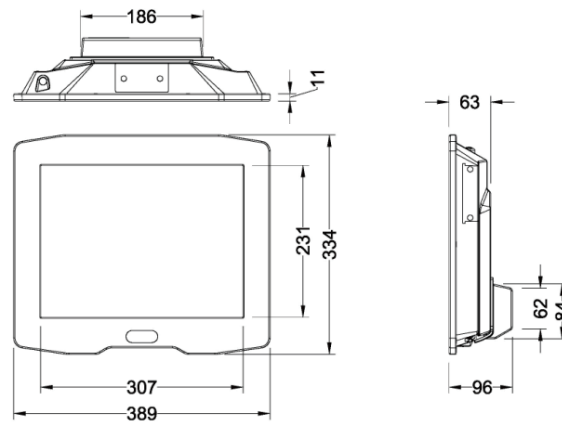
MES 6415PC  
389\*96\*334(mm) - Built-in AC adapter



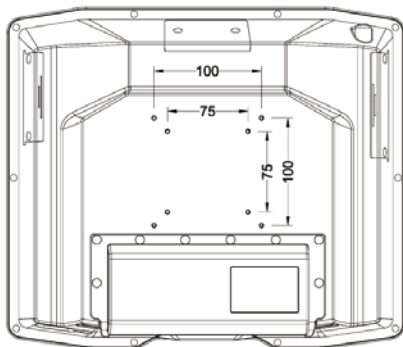
MES 6415R  
389\*67\*334(mm) - External AC adapter



MES 6415R  
389\*96\*334(mm) - Built-in AC adapter



## VESA 75\*75 & 100\*100mm



## I/O placement

