

Datasheet

# iCF 9000 series

- iSMART disk health monitoring
- Intelligent error recovery system
- Excellent data transfer speed
- Write protection security
- Enhanced power cycling management



## Introduction

The Innodisk Industrial CompactFlash® 9000 Memory Card (iCF 9000) products provide high capacity solid-state flash memory that electrically complies with the True IDE Mode that is electrically compatible with an IDE disk drive. The original CF form factor card can be used in any system that has a CF slot.

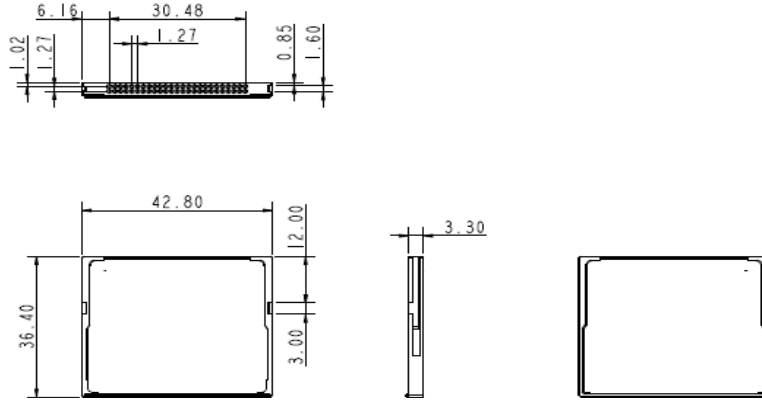
Designed to replace traditional rotating disk drives, Innodisk Industrial CompactFlash® 9000 Memory Cards are embedded solid-state data storage systems for mobile computing and the industrial work place. The Industrial CompactFlash® features an extremely lightweight, reliable, low-profile form factor. Industrial CompactFlash® 9000 (iCF 9000) support advanced PIO (0-6), Multiword DMA (0-4), Ultra DMA (0-7) transfer mode, multi-sector transfers, and LBA addressing.

# iCF 9000 series

## Drawing

Contact us for more information  
about the iCF 9000

Innodisk is a service-driven provider of industrial embedded flash and DRAM storage products and technologies, with a focus on the cloud computing, industrial/embedded, and aerospace and defense industries.



### Headquarters (Taiwan)

5F., No.237, Sec. 1, Datong Rd.,  
Xizhi Dist., New Taipei City 221,  
Taiwan (R.O.C.)

Tel: +886-2-77033000  
Email: sales@innodisk.com

### Branch Offices:

USA  
[usasales@innodisk.com](mailto:usasales@innodisk.com)  
+1-510-770-9421  
Europe  
[eusales@innodisk.com](mailto:eusales@innodisk.com)  
+31-(0)40-282-1818  
Japan  
[jpsales@innodisk.com](mailto:jpsales@innodisk.com)  
+81-45-594-7581  
China  
[sales\\_cn@innodisk.com](mailto:sales_cn@innodisk.com)  
+86-755-21673689  
[www.innodisk.com](http://www.innodisk.com)

© 2021 Innodisk Corporation.  
All right reserved. Specifications  
are subject to change without  
prior notice.

20210706

## Specifications

Interface	PATA
Flash Type	SLC
Capacity	1GB~64GB
Max. Channels	4
Sequential R/W (MB/sec, max.)	110/100
Max. Power Consumption	1.53W(5V x 306mA)
H/W Write Protect	Optional
ATA Security	√
S.M.A.R.T.	√
Dimension (WxLxH)	42.8X 36.4 X 3.3 mm
Environment	Vibration: 20G @7~2000Hz Shock: 1500G @ 0.5ms Storage Temperature: -55°C ~ +95°C MTBF: 3 million hours

## Ordering Information

Operation Temp.	1GB	2GB	4GB	8GB	16GB	32GB	64GB
Standard Grade (0°C ~ +70°C)	DC1M-01GD71AC2DB	DC1M-02GD71AC2QB	DC1M-04GD71AC2QB	DC1M-08GD71AC2QB	DC1M-16GD71AC1QB	DC1M-32GD71AC1QB	DC1M-64GD71AC1QB
Industrial Grade (-40°C ~ +85°C)	DC1M-01GD71AW2DB	DC1M-02GD71AW2QB	DC1M-04GD71AW2QB	DC1M-08GD71AW2QB	DC1M-16GD71AW1QB	DC1M-32GD71AW1QB	DC1M-64GD71AW1QB