

Owner's Manual Havis Docking Station For Getac K120 Tablet

DS-GTC-900 Series

DS-GTC-901

DS-GTC-901-3

DS-GTC-902

DS-GTC-902-3

DS-GTC-903

DS-GTC-903-3

DS-GTC-906

DS-GTC-906-3



DS-GTC-900-SERIES_OMN_6-24

www.havis.com

HAVIS

Havis, Inc.
75 Jacksonville Road
Warminster, PA 18974

1-800-524-9900

Before Beginning

Havis is pleased to provide this Owner's Manual to aid in the proper installation and use of the DS-GTC-900 Series Docking Station for the Getac K120 Tablet.

For questions regarding the set-up of your DS-GTC-900 Series Docking Station, please contact Havis at 1-800-524-9900 or visit www.havis.com for additional product support and information.

This Owner's Manual applies to the following Part Numbers:

DS-GTC-901
DS-GTC-901-3

DS-GTC-902
DS-GTC-902-3

DS-GTC-903
DS-GTC-903-3

DS-GTC-906
DS-GTC-906-3

WARNING

- **CUSTOMERS USING HAVIS K120 DOCKING STATIONS WITH PORT REPLICATION: DO NOT CONNECT A SECOND POWER SOURCE DIRECTLY TO THE POWER INPUT JACK OF A DOCKED COMPUTER AS THIS MAY CAUSE DAMAGE TO THE COMPUTER OR POWER SOURCES.**
- **NEVER STOW OR MOUNT THE DOCKING STATION DIRECTLY IN A VEHICLE AIRBAG DEPLOYMENT ZONE.**
- **DO NOT USE COMPUTER WHILE DRIVING.**

CAUTION

- **READ ALL INSTRUCTIONS THOROUGHLY BEFORE BEGINNING INSTALLATION.**
- **DO NOT STORE, INSTALL, OR OPERATE THE DOCKING STATION WHERE WATER, MOISTURE, STEAM, DUST, ETC. ARE PRESENT**
- **DO NOT DOCK OR UNDOCK YOUR COMPUTER UNLESS IT IS POWERED OFF. DOCKING OR UNDOCKING WITH YOUR COMPUTER IN ON, STANDBY, HIBERNATION, OR SLEEP MODES CAN CAUSE PERMANENT DAMAGE.**
- **FOR THE DS-GTC-901, DS-GTC-901-3, DS-GTC-902, & DS-GTC-902-3 DOCKING STATIONS: DO NOT CONNECT DIRECTLY TO VEHICLE VOLTAGE SOURCE: This product requires a certified, automotive grade, Getac approved 120W power source rated for a continuous, regulated 19VDC output (*Havis Part Number LPS-140 or equivalent*). Failure to comply with this requirement will cause product damage that is NOT repairable and is NOT covered under warranty.**
- **FOR THE DS-GTC-903, DS-GTC-903-3, DS-GTC-906 & DS-GTC-906-3 DOCKING STATIONS: DO NOT CONNECT DIRECTLY TO VEHICLE VOLTAGE SOURCE: The Getac K120 Tablet requires a certified, Getac approved power source rated for a continuous, regulated 19VDC output. Failure to comply with this requirement will cause product damage that is NOT repairable and is NOT covered under warranty.**

NOTICE

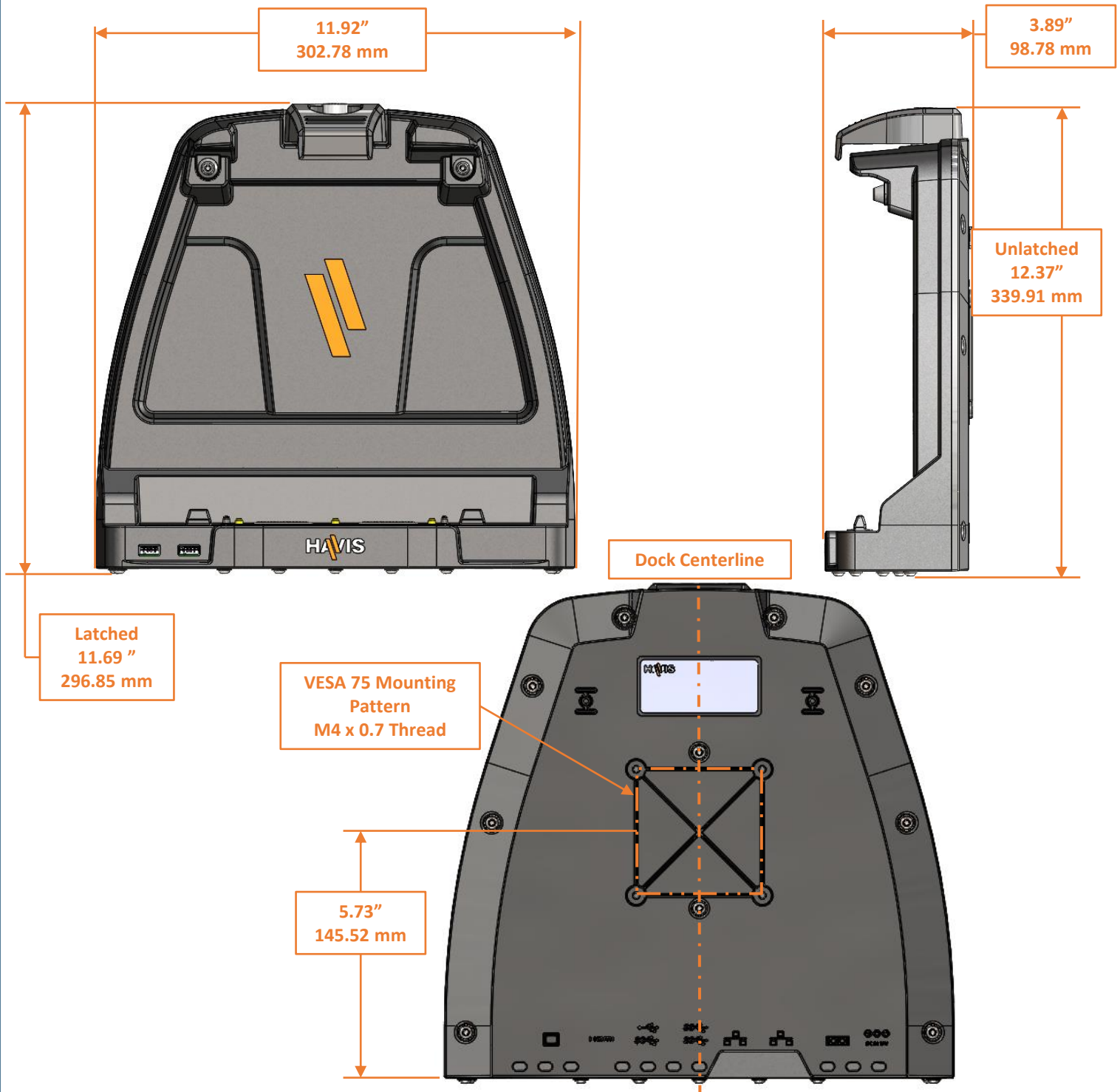
- **FOR DOCKING STATION MODELS EQUIPPED WITH A BUNDLED POWER SUPPLY (DS-GTC-902, DS-GTC-902-3, DS-GTC-906, & DS-GTC-906-3) REFER TO THE SUPPLIED GETAC POWER SUPPLY REFERENCE GUIDE.**
- **WHEN TABLET IS DOCKED, THE BATTERY WILL ONLY CHARGE BETWEEN 2°C to 50°C (35°F to 122°F). PLEASE REFER TO GETAC K120 TABLET OWNER'S MANUAL FOR MORE INFORMATION.**

Precautions

- Do not place metal objects or containers of liquid on top of the Docking Station
- If a malfunction occurs, immediately unplug the Power Supply and remove the laptop
- Use only the specified Power Supply (Part # LPS-140) with this Docking Station
- Do not connect cables into ports other than what they are specified for
- Do not leave the Docking Station in a high temperature environment (greater than 85°C, 185°F) for a long period of time

Specifications

Power Supply Input	External Power Supply LPS-140 DC-DC	INPUT 11-32 V DC-In	OUTPUT 19V DC
Dimensions	11.7" (29.7cm) H x 11.9" (30.2 cm) W x 3.9" (9.9 cm) D		
Weight	3.72 lbs. (1.69 kg)		
Operating Environment	-21° C to 60° C (-6° F to 140° F)		
Storage Environment	-51° C to 71° C (-60° F to 160° F)		

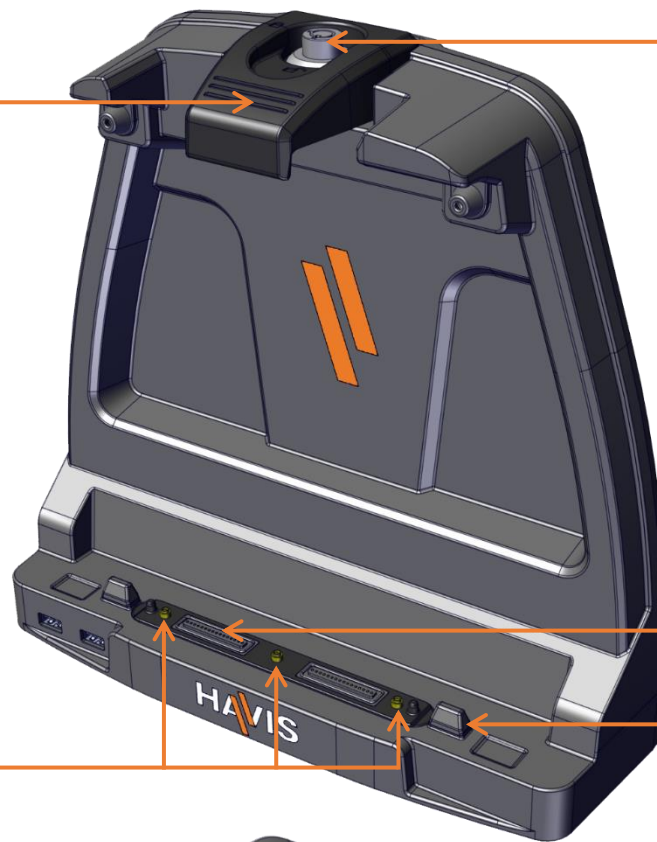


Specifications *(continued)*

Docking Station

Barrel Lock

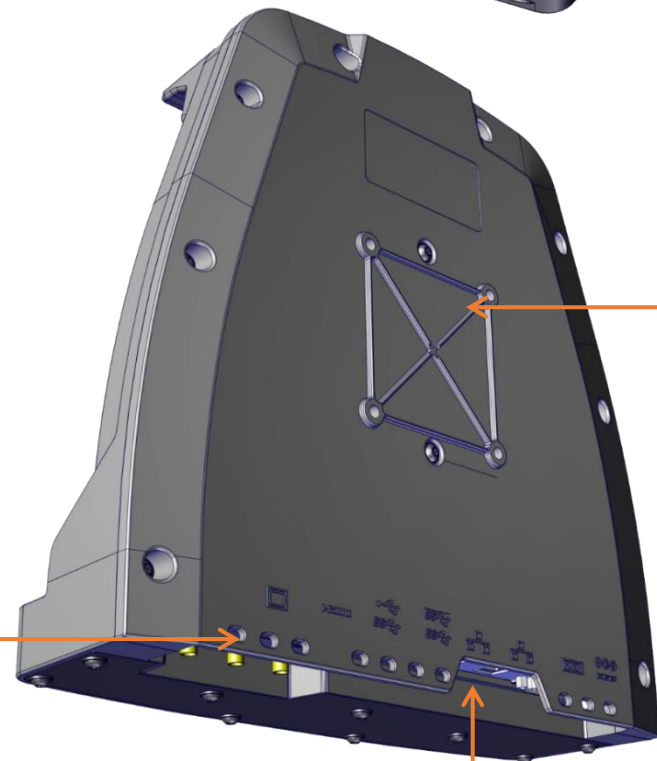
Latch Hook



Docking Connectors (x2)

Alignment Posts

Pass-Through Antenna
(Triple, optional)



Mounting Holes
(VESA 75 Hole Pattern)

Strain Relief Points

Ports



Parts Included

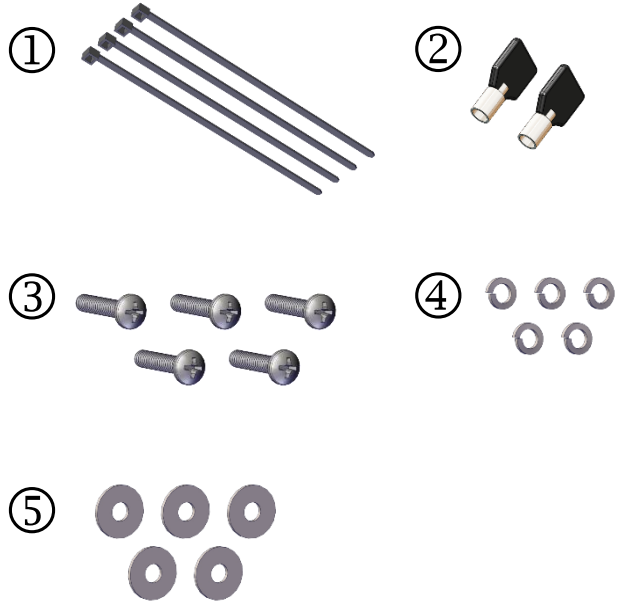
Hardware Kit (HWK-0031)

This Hardware Kit includes:

1. Zip Ties (4)
2. Keys (2)
3. M4 x 0.7 x 20mm long Pan Head Screws (5)
4. Split Lock Washers (5)
5. Washers, M4 (5)

Tools required for installation:

- #2 Phillips (For M4 Pan Head Screws)



Antenna Identification

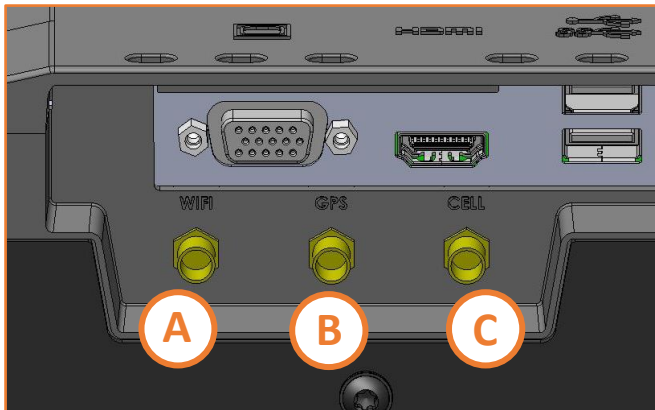
DS-GTC-901-3, DS-GTC-902-3, DS-GTC-903-3, & DS-GTC-906-3

A – WIFI

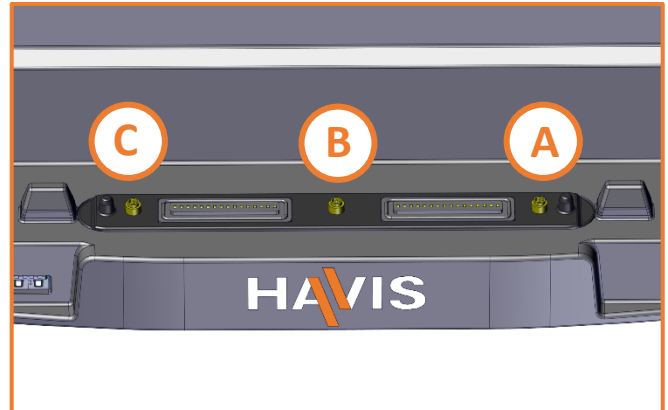
B – GPS

C – CELLULAR

Antenna Connectors (SMA)



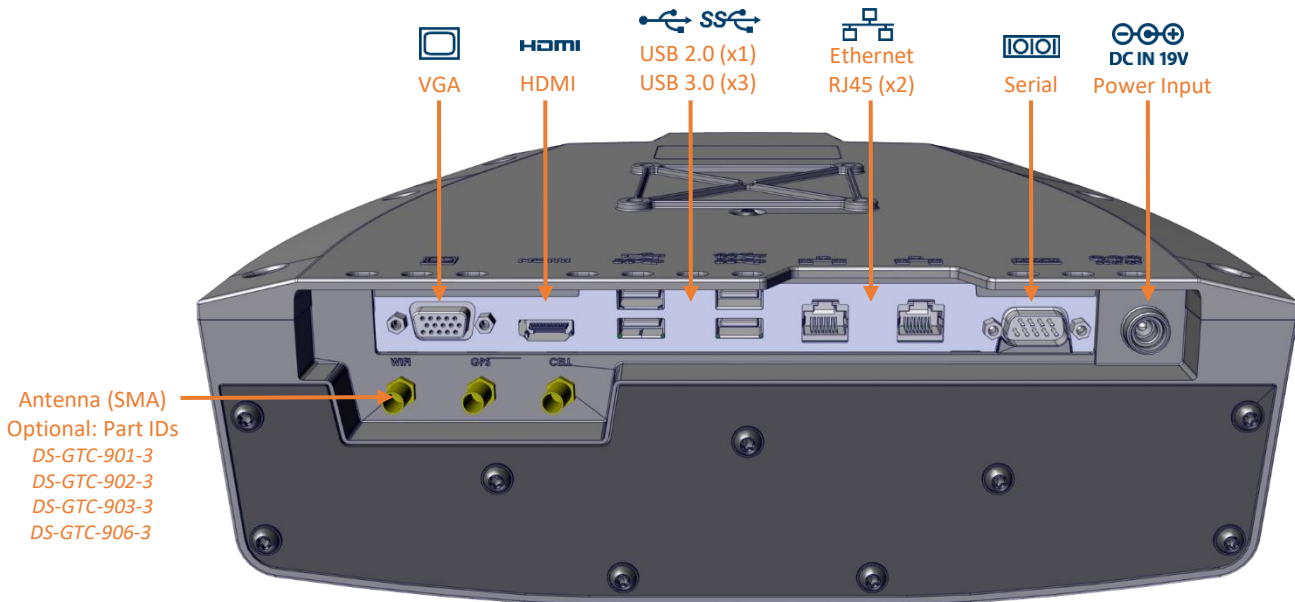
Tablet Interface



Port Replication Capability

Downward Facing Ports

DS-GTC-901, DS-GTC-901-3, DS-GTC-902, DS-GTC-902-3



Forward Facing Ports

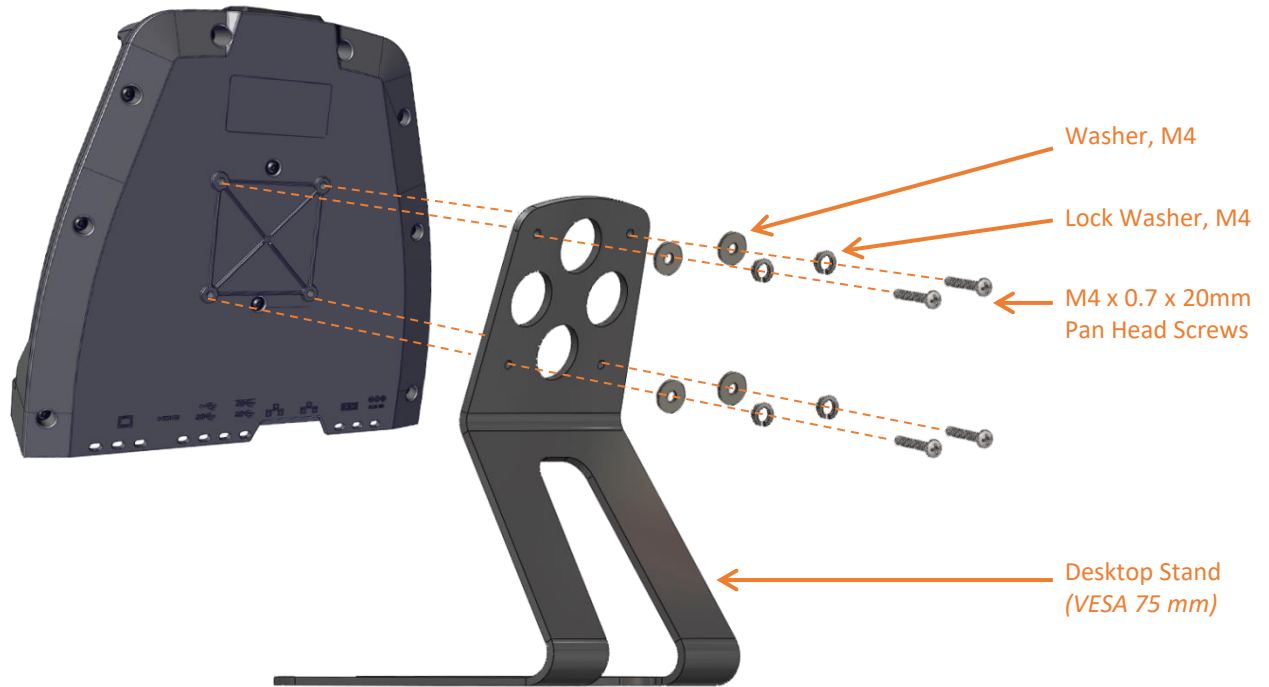
DS-GTC-901, DS-GTC-901-3, DS-GTC-902, & DS-GTC-902-3



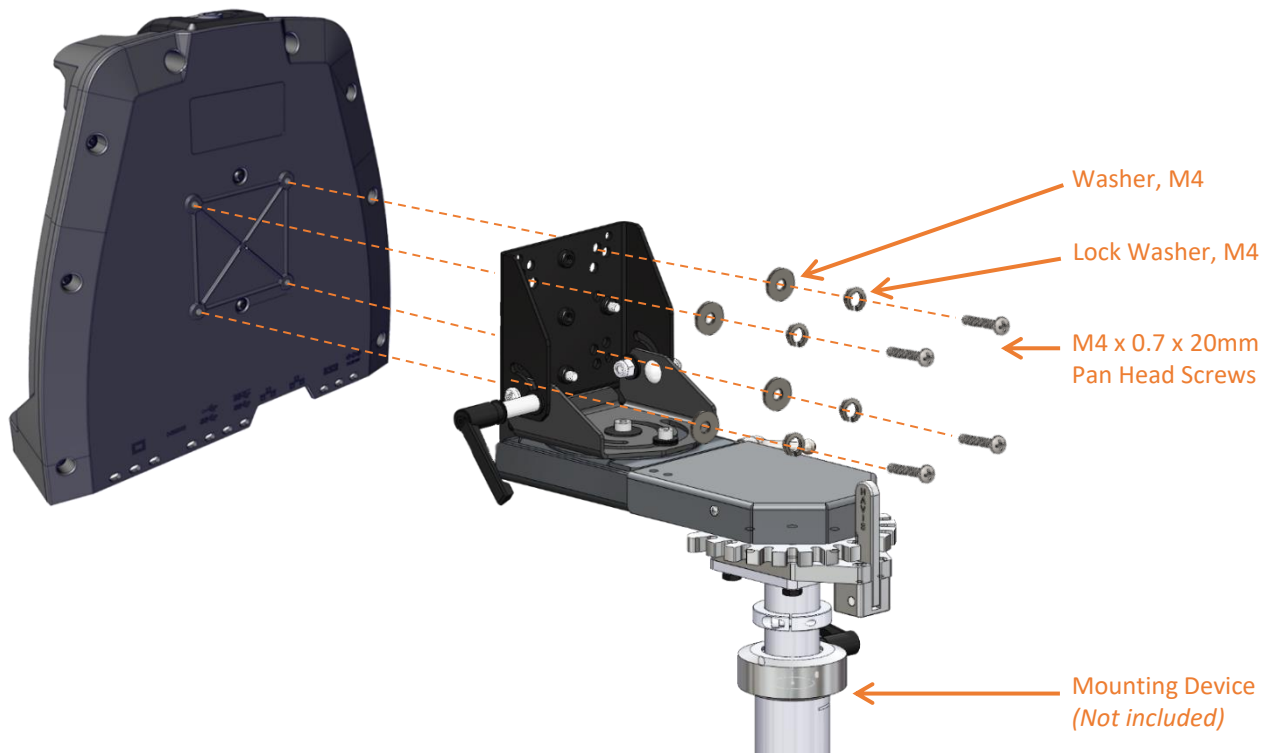
Installation

- 1) Align Docking Station mounting holes with the hole pattern on mounting device. Using the four (4) M4 0.7 x 20mm Pan Head Screws (Hardware Kit Item 3), four (4) Washers, M4 (Hardware Kit Item 4), and four (4) Lock Washers, M4 (Hardware Kit Item 5), secure the Docking Station to device. Torque screws to 20 in-lbs (2.3Nm) \pm 10%

A) Havis Desktop Stand installation (sold separately, Part # DS-DA-218).

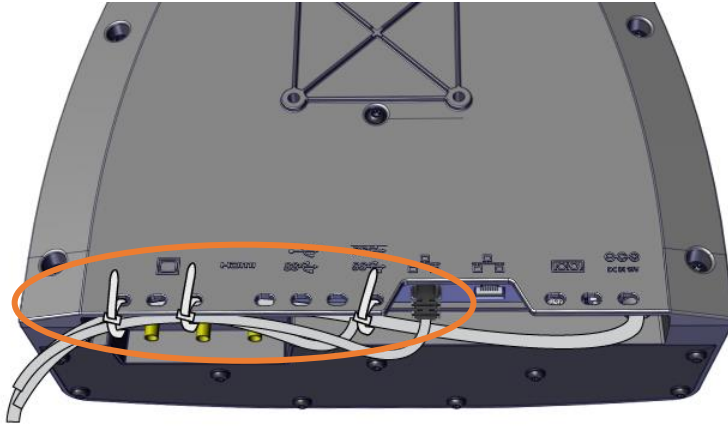


B) In-Vehicle mounting system installation (not included).



Cable Management

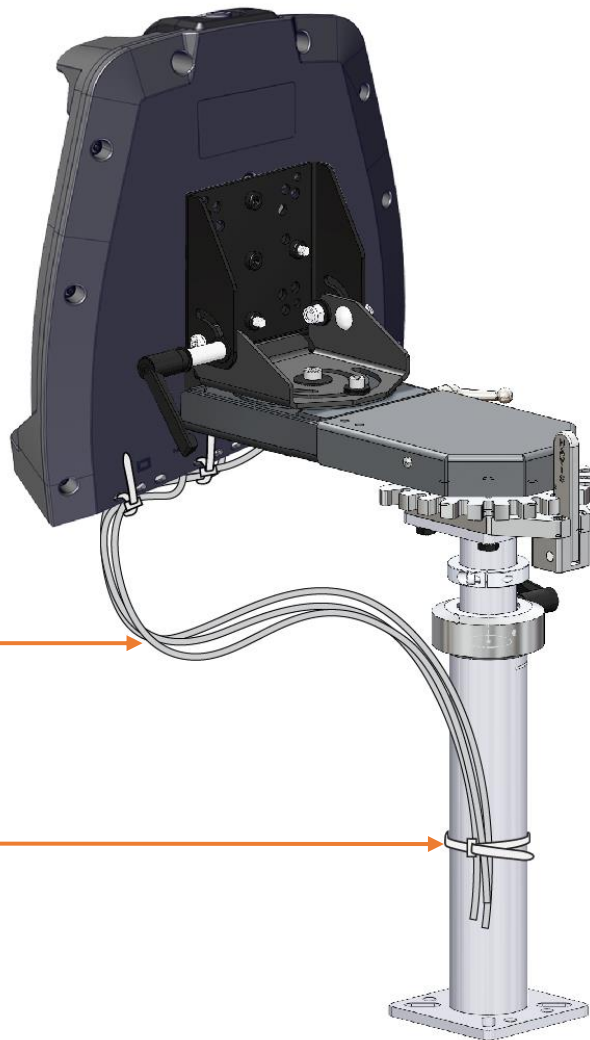
- 1) Tip the Docking Station to a position that is comfortable to work with.
- 2) Install all cables that are necessary for computing needs.
- 3) Use Zip Ties (Hardware Kit Item 1) and the Strain Relief Points to secure cables and reduce risk of accidental disconnects.



- 4) Create a service loop with cables to ensure that no tension is on the connectors and to enable intended motion.
- 5) Tie off cables onto a stationary part of the mounting system.

4

This loop must be large enough to allow full range of expected rotation and extension without stressing connections.



5

Collect cables to secure to the mounting system.

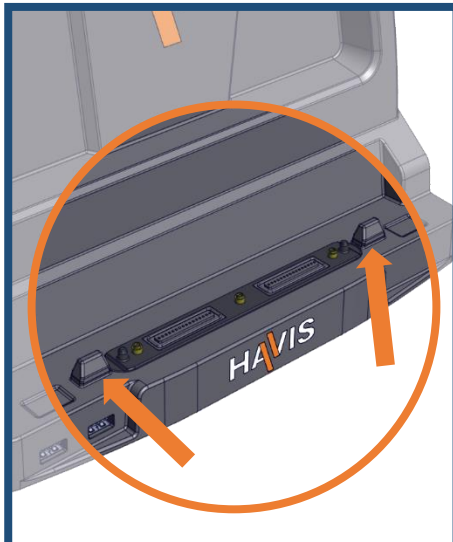
(Note: mounting system not included)

Operation - Docking

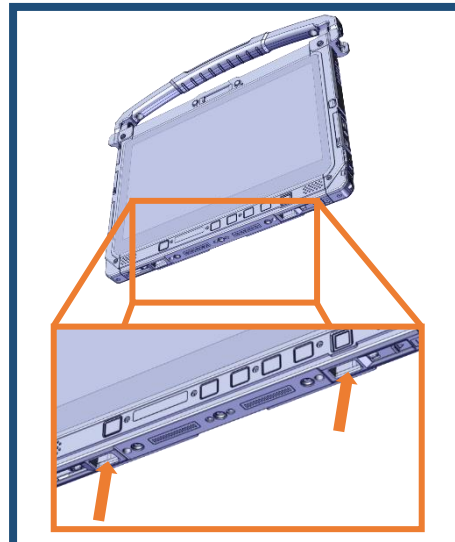
⚠ CAUTION

DO NOT FORCE TABLET ONTO DOCKING STATION. IF THERE IS RESISTANCE, CHECK ALIGNMENT OF TABLET ON DOCKING STATION.

NOTE: Ensure a proper connection by aligning the tablet's Alignment Sockets with the Docking Station's Alignment Posts

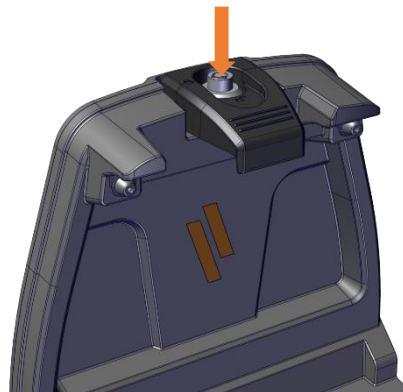


Alignment Posts on the DS-GTC-900 Series Docking Station



Alignment Sockets on the bottom of Getac K120 Tablet

- 1) Docking Station must be unlatched before docking your tablet. Push down on the Barrel Lock button and release slowly.



Operation - Docking (continued)

- 2) Hold tablet in landscape orientation, with bottom mounted docking connector angled toward Docking Station. Lower tablet into the bottom of the Docking Station.



- 3) Pivot tablet so it sits flush in the Docking Station and hold while depressing the Latch Handle to secure tablet in place. You will hear an audible click when Latch Hook is fully engaged.



- 4) For theft deterrence, secure tablet by locking Docking Station with supplied key (Hardware Kit Item 2).



Operation - Undocking

- 1) If previously locked, unlock Docking Station using supplied key.



- 2) Secure tablet to avoid inadvertent ejection from Docking Station. Push down on the Barrel Lock button and release quickly taking care not to obstruct the travel of the Latch Hook. If the Latch Hook does not extend fully to its unlatched position, lift up lightly on the front of the Latch Hook to fully release.



- 3) Once unlatched grab both sides of tablet, rock the top forward and carefully lift out of Docking Station, top end first.



Regulatory Information

Canada

CAN ICES-3 (B) / NMB-3(B)

Class B equipment

This class B digital apparatus meets all requirements of the Canadian Interference-Causing Equipment Regulations.

Équipement de classe B

Cet appareil numérique de la classe B respecte toutes les exigences du Règlement sur le matériel brouilleur du Canada.

United States of America

FCC Compliance

This device complies with part 15 of the FCC Rules. Operation is subject to the following two conditions: (1) This device may not cause harmful interference, and (2) this device must accept any interference received, including interference that may cause undesired operation.

Note: This equipment has been tested and found to comply with the limits for a Class B digital device, pursuant to part 15 of the FCC Rules. These limits are designed to provide reasonable protection against harmful interference in a residential installation. This equipment generates, uses and can radiate radio frequency energy and, if not installed and used in accordance with the instructions, may cause harmful interference to radio communications. However, there is no guarantee that interference will not occur in a particular installation. If this equipment does cause harmful interference to radio or television reception, which can be determined by turning the equipment off and on, the user is encouraged to try to correct the interference by one or more of the following measures:

- Reorient or relocate the receiving antenna.
- Increase the separation between the equipment and receiver.
- Connect the equipment into an outlet on a circuit different from that to which the receiver is connected.
- Consult the dealer or an experienced radio/TV technician for help.

Changes or modifications not expressly approved by the party responsible for compliance could void the user's authority to operate the equipment.

Responsible party (contact for FCC matters only):

Havis, Inc.
75 Jacksonville Road
Warminster, PA 18974
havis.com/contact-us

Regulatory Information *(continued)*

European Union

Waste Electrical and Electronic Equipment (WEEE)

Electrical and electronic equipment (EEE) contain materials, components and substances that can be hazardous and harmful to human health and the environment when WEEE is not disposed of properly.

Products marked with the "crossed-out wheeled bin" symbol are EEE. The crossed-out wheeled bin symbolizes that WEEE must not be disposed of together with unsorted household waste, but must be collected separately.

For this purpose, all municipalities have established collection schemes where WEEE can be handed in, free of charge, by citizens at recycling stations or other collection points or collected directly from households. Further information should be obtained from the municipality's technical administration.



This symbol on the product or on its packaging indicates that the product must not be disposed of with normal household waste. Instead, it is your responsibility to dispose of your waste equipment by arranging to return it to a designated collection point for the recycling of WEEE. By separating and recycling your waste equipment at the time of disposal, you will help to conserve natural resources and ensure that the equipment is recycled in a manner that protects human health and the environment. This product is EEE and shall not be placed in the municipal waste after end of its life. This device should be handled properly and handed over to appropriate collection places or to authorized companies.

Conformité Européene (CE) Mark



The CE marking on a Havis product indicates conformity to the provisions of applicable European Union (EU) directives. The EU Declaration of Conformity (DoC) is the manufacturer's declaration that the product complies with those directives.

Related Products

Havis offers a wide variety of accessory products specifically for use with your Docking Station. For more information or to order, please visit www.havis.com.



LPS-140

120W Power Supply

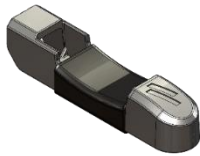
External in-vehicle power supply and cable for Getac K120 Tablet with cigarette lighter adaptor.



LPS-211

Power Supply Mounting Bracket

Mount a power supply directly to your Docking Station with this versatile bracket.



DS-DA-103

Stylus Holder

Secure a wide array of styluses to your Docking Station.



DS-DA-218

Desktop Stand for Tablet Docking Stations

Durable stand for mounting tablet Docking Stations for use in the home or office.



DS-DA-102

USB Powered Keyboard Light

Soft red LED light illuminates the laptop keyboard for night viewing.



DS-DA-502

Replacement Keys

Set of two (2) replacement keys for DS-GTC-900 Series Docking Stations.

