

FAN-EX100

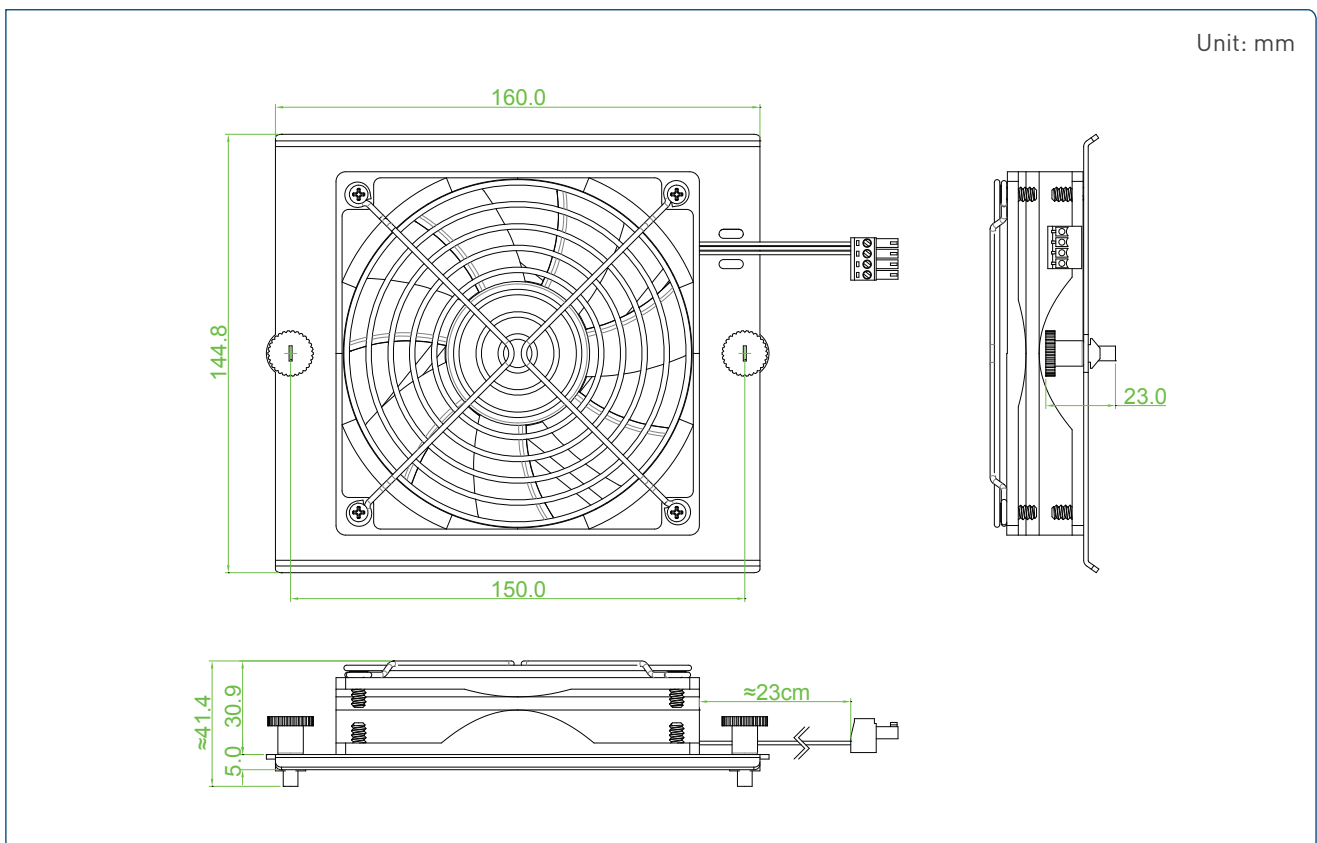
External Fan with 4-Pin Terminal Block Plug and Mounting Bracket



Specifications

- Rated Voltage: 12 VDC
- Rated Current: 0.4 AMP
- Power Consumption: 4.8 WATTS
- Speed Reference: 2,300 RPM
- Noise: <41 dBA
- Dimensions: 160.0 x 144.8 x 41.4 mm
- Interface: 4-Pin Terminal Block Plug
- Cable Size: 23 cm

Dimension



Ordering Information

Model No.	Product Description
FAN-EX100	External Fan with 4-Pin Terminal Block Plug and Mounting Bracket