

CV-W115 Series

15.6" TFT WXGA 16:9 Display Module with Resistive 5-wire / Projected Capacitive Touch



CONVERTIBLE DISPLAY MODULE

| CV-100 Series |

Overview

CV-W115 Series is 15.6" wide screen LCD display module with resistive 5-wire / projected capacitive touch screen. It offers resolution up to 1366x768 (WXGA) and 400 nits brightness. CV-W115 Series features flat surface and IP65 dust/waterproof front panel. In addition, designed with aluminum die-cast front frame, it is rugged and reliable for industrial environment. With support for Convertible Display System (CDS) technology, CV-W115 Series allows you to configure, upgrade and maintain your Convertible Display System easily.

- 15.6" TFT WXGA 16:9 LCD with Resistive 5-wire / Projected Capacitive Touch
- 50,000 hrs LED Backlight Life
- Resolution up to 1366 x 768 (WXGA)
- 400 nits Brightness
- Designed with Aluminum Die-cast Front Frame
- IP 65 Compliant Front Panel
- Convertible Display System (CDS) Supported
- Safety: UL, cUL, CB, IEC, EN 62368-1

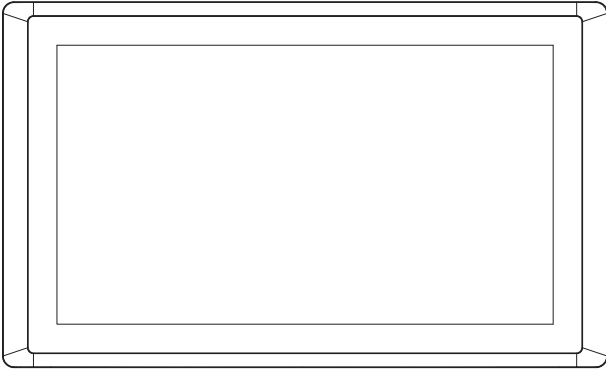


CV-W115 Series Specifications

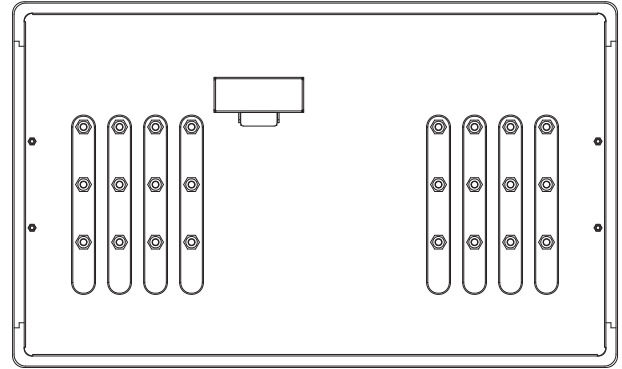
Model Name	CV-W115R	CV-W115C
Display		
LCD Size	• 15.6" (16:9)	
Max. Resolution	• 1366 x 768 (WXGA)	
Brightness (cd/m2)	• 400	
Contrast Ratio	• 500 : 1	
LCD Color	• 16.2M	
Pixel Pitch (mm)	• 0.252 (H) x 0.252 (V)	
Viewing Angle (H-V)	• 170 / 160	
Backlight MTBF	• 50,000 hrs (LED Backlight)	
Touch Screen		
Touch Type	• Resistive 5-wire	• Projected Capacitive
Physical		
Dimension (W x D x H)	• 420 x 254 x 66.2 mm	
Weight Information	• 4.25 kg	
Mechanical Construction	• Die-Casting Flat Surface	
Environment		
Front Panel Protection	• IP 65 Compliant	
Surge Protection	• 2kV	
Operating Temperature	• 0°C to 60°C (with Industrial Grade peripherals; Ambient with air flow)	
Storage Temperature	• -20°C to 60°C	
Relative Humidity	• 80% RH @ 50°C (Non-condensing)	
EMC	• CE, UKCA, FCC, ICES-003 Class A	
EMI	<ul style="list-style-type: none"> • CISPR 32 Conducted & Radiated: Class A • EN/BS EN 55032 Conducted & Radiated: Class A • EN/BS EN IEC 61000-3-2 Harmonic current emissions: Class A • EN/BS EN61000-3-3 Voltage fluctuations & flicker • FCC 47 CFR Part 15B, ICES-003 Conducted & Radiated: Class A 	
EMS	<ul style="list-style-type: none"> • EN/IEC 61000-4-2 ESD: Contact: 4 kV; Air: 8 kV • EN/IEC 61000-4-3 RS: 80 MHz to 1000 MHz: 3 V/m • EN/IEC 61000-4-4 EFT: AC Power: 1 kV; DC Power: 0.5 kV; Signal: 0.5 kV • EN/IEC 61000-4-5 Surges: AC Power: 2 kV; Signal: 1 kV • EN/IEC 61000-4-6 CS: 3V • EN/IEC 61000-4-8 PFMF: 50 Hz, 1A/m • EN/IEC 61000-4-11 Voltage Dips & Voltage Interruptions: 0.5 cycles at 50 Hz 	
Safety	• UL, cUL, CB, IEC, EN 62368-1	

External Layout

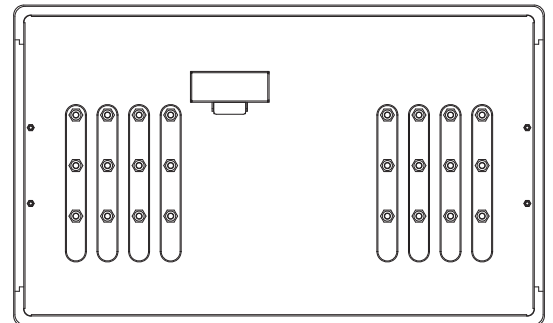
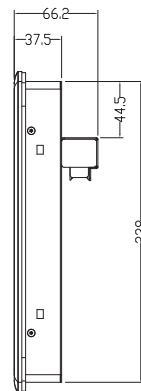
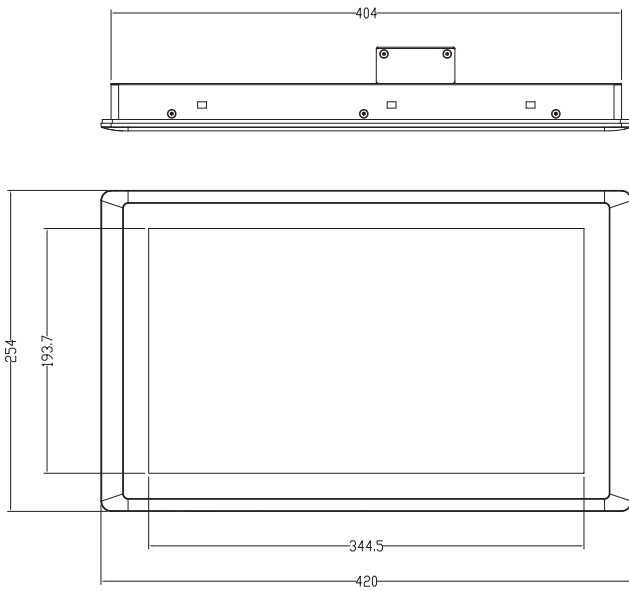
Front



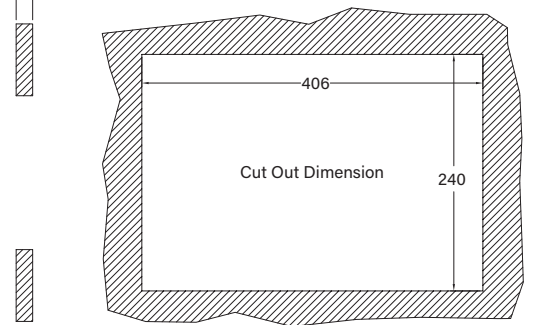
Rear



Dimensions



5.5 (Max. Wall Thickness)



Unit: mm

Ordering Information

Available Models

Model No.	Description
CV-W115R-R10	15.6" TFT WXGA 16:9 Display Module with Resistive 5-wire Touch
CV-W115C-R11	15.6" TFT WXGA 16:9 Display Module with Projected Capacitive Touch

Package Checklist

- CV-W115 Series Display Module x 1
 - Panel Mounting Kit x 1
-