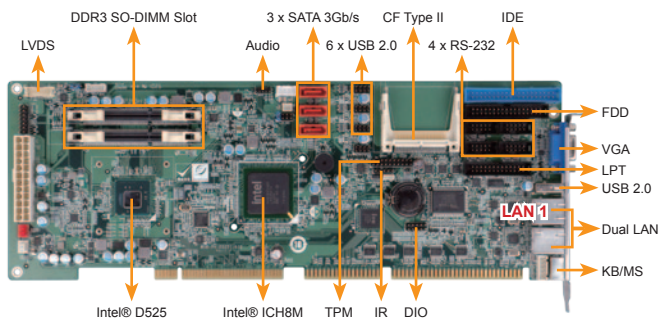


# WSB-PV-D4251/D5251

Full-size PICMG 1.0 CPU Card with Intel® Atom™ D425/D525, DDR3, VGA, LVDS, Dual PCIe GbE, SATA 3Gb/s, COM, USB 2.0, Audio and RoHS



## Features

- PICMG 1.0 form factor and RoHS compliant
- Supports Intel® Atom™ D425/D525 1.80GHz processor
- Supports 800 MHz DDR3 SDRAM SO-DIMM up to 4 GB
- Dual PCIe Ethernet, three SATA 3Gb/s, and four RS-232 serial port connectors
- VGA and 18-bit single-channel LVDS for dual independent display support
- TPM V1.2 hardware security function supported by TPM module
- IEI One Key Recovery solution allows you to create rapid OS backup and recovery

## Specifications

- ◆ CPU
  - Intel® Atom™ D525 dual-core processor (1.80GHz/1MB L2 cache)
  - Intel® Atom™ D425 single-core processor (1.80GHz/512KB L2 cache)
- ◆ System Chipset: ICH8M
- ◆ BIOS: UEFI BIOS
- ◆ System Memory
  - Two 204-pin 800 MHz DDR3 SDRAM SO-DIMMs supported (system max. 4 GB)
- ◆ Graphics Engine
  - GMA 3150
  - Gen3.5 DX9, 400 MHz
- ◆ Ethernet
  - LAN1: Realtek RTL8111E PCIe GbE controller with ASF 2.0 support
  - LAN2: Realtek RTL8111E PCIe GbE controller
- ◆ Display Interface
  - Analog CRT up to 2048x1536 for D525/D425 Supports CRT hot plug
  - 18-bit single-channel LVDS, resolution support up to WXGA 1366x768 or XGA 1024x768
- ◆ Super I/O: Fintek F81865
- ◆ TPM: 1 x TPM connector (2x10 pin)
- ◆ SMBus: 1 x 4-pin wafer connector
- ◆ Digital I/O: 8-bit digital I/O
- ◆ Infrared Interface: 1 x 5-pin infrared by pin header
- ◆ I/O Interface
  - 1 x FDD 1 x 5-pin on-board header for KB
  - 1 x IDE 1 x CF Type II
  - 1 x LPT 1 x PS/2 connector for KB/MS
  - 4 x RS-232 3 x SATA 3Gb/s
  - 7 x USB 2.0 (1 on bracket, 6 on board by pin header)
- ◆ Audio
  - 1 x 10-pin on-board header connects to the IEI audio kit
- ◆ Watchdog Timer
  - Software programmable supports 1~255 sec. system reset
- ◆ Power Supply: AT/ATX power
- ◆ Power Consumption
  - 5V@5.16A, 12V@0.55A (Intel® dual core Atom™ D525 1.80GHz with two 2 GB 1066 MHz DDR3 memory)
- ◆ Operating Temperature
  - 20°C ~ 60°C with free air, -20°C ~ 70°C with force air for D525 processor
  - 20°C ~ 65°C with free air, -20°C ~ 70°C with force air for D425 processor
- ◆ Storage Temperature: -30°C ~ 70°C
- ◆ Operating Humidity: 5% ~ 95%, non-condensing
- ◆ Dimensions: 338 mm x 122 mm
- ◆ Weight (GW): 1100g

## Packing List

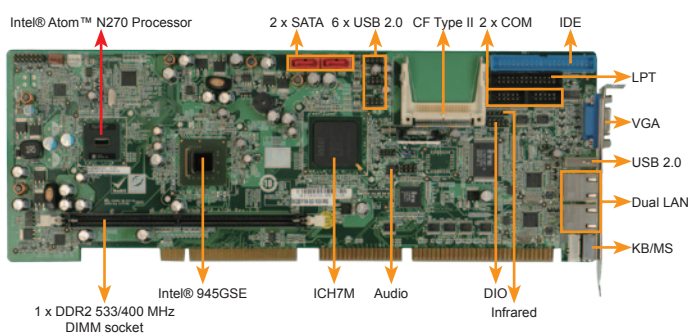
|  |                         |
|--|-------------------------|
| 1 x WSB-PV-D4251/D5251 single board computer | 1 x Mini jumper pack    |
| 1 x Dual RS-232 cable (P/N: 19800-000051-RS) | 1 x One Key Recovery CD |
| 1 x USB cable (P/N: 19800-003100-300-RS)     | 1 x QIG                 |
| 2 x SATA cable (P/N: 32000-062800-RS)        | 1 x Utility CD          |

## Ordering Information

| Part No.                   | Description   |
|----------------------------|---|
| WSB-PV-D5251-R10           | Full-size PICMG 1.0 CPU card with Intel® dual-core Atom™ D525 1.80GHz/1MB L2 cache, DDR3, VGA, LVDS, dual PCIe GbE, SATA 3Gb/s, COM, USB 2.0, audio, RoHS     |
| WSB-PV-D4251-R10           | Full-size PICMG 1.0 CPU card with Intel® single-core Atom™ D425 1.80GHz/512KB L2 cache, DDR3, VGA, LVDS, dual PCIe GbE, SATA 3Gb/s, COM, USB 2.0, audio, RoHS |
| 19800-000049-RS            | LPT cable   |
| 19800-000100-200-RS        | 4-port USB cable  |
| 19FFD124010HB2A7-000001-RS | CPU fan   |
| 32006-000300-100-RS        | KB/MS Y cable   |
| 32102-000100-200-RS        | SATA power cable  |
| 32200-000017-RS            | FDD cable   |
| 32225-002000-200-RS        | ATA 66 flat cable   |
| 34000-000510-RS            | 30mm higher heatsink  |
| AC-KIT-892HD-R10           | 7.1-channel HD Audio kit with Realtek ALC892 supports dual audio streams  |
| TPM-IN01-R11               | 20-pin Infineon TPM module, software management tool, firmware v3.17  |

# WSB-945GSE

Full-size PICMG 1.0 CPU Card supports Intel® Atom™ Processor with VGA, Dual PCIe GbE, USB 2.0, SATA and Audio



## Features

- PICMG 1.0 and RoHS compliant
- Intel® Atom™ processor N270 at 1.6GHz core speed with a 533 MHz FSB and 512KB L2 cache
- Enhanced technology for lower power consumption
- Two SATA and CF Type I/II for data storage
- IEI One Key Recovery solution allows you to create rapid OS backup and recovery

## Specifications

- ◆ CPU
  - On-board Intel® Atom™ N270 processor, 1.6GHz 512KB L2 cache with a 533 MHz FSB
- ◆ System Chipset
  - Intel® 945GSE + ICH7M
- ◆ BIOS
  - AMI BIOS
- ◆ System Memory
  - One 240-pin 533/400 MHz DDR2 SDRAM DIMM supported (system max. 2 GB)
- ◆ Ethernet
  - Dual Realtek 8111CP PCIe GbE controllers
- ◆ I/O Interface
  - 1 x IDE 1 x LPT
  - 2 x RS-232 2 x SATA
  - 1 x PS/2 connector for KB/MS
  - 7 x USB 2.0 (1 on bracket, 6 on board by pin header)
- ◆ Digital I/O
  - 8-bit digital I/O
- ◆ Infrared Interface
  - 1 x Infrared by pin header
- ◆ Super I/O
  - ITE IT8718F
- ◆ Display Interface
  - VGA integrated in Intel® 945GSE
- ◆ Audio
  - Support 7.1-channel HD Audio or 5.1-channel AC-97 audio by IEI audio kits
- ◆ SSD
  - CF Type I/II
- ◆ Watchdog Timer
  - Software programmable supports 1 ~255 sec. system reset
- ◆ Power Supply
  - AT/ATX power
- ◆ Power Consumption
  - 5V@2.55A, 12V@0.23A (Intel® Atom™ N270 1.6GHz/533 MHz CPU with 1 GB 533 MHz DDR2)
- ◆ Operating Temperature
  - 0°C ~ 60°C (32°F ~ 140°F)
- ◆ Storage Temperature: -10°C ~ 70°C
- ◆ Operating Humidity
  - 5% ~ 95%, non-condensing
- ◆ Dimensions: 338 mm x 122 mm
- ◆ Weight: 1 kg (GW)/0.25 kg (NW)

## Packing List

|  |                                    |
|--|------------------------------------|
| 1 x WSB-945GSE single board computer         |                                    |
| 1 x Dual RS-232 cable (P/N: 19800-000051-RS) |                                    |
| 1 x KB/MS Y-cable (P/N: 32006-000300-100-RS) |                                    |
| 1 x USB cable (P/N: 19800-003100-300-RS)     | 1 x Mini jumper pack               |
| 2 x SATA cable (P/N: 32000-062800-RS)        | 1 x QIG (quick installation guide) |
| 1 x One Key Recovery CD                      | 1 x Utility CD                     |

## Ordering Information

| Part No.            | Description  |
|---------------------|--|
| WSB-945GSE-N270-R10 | PICMG 1.0 with Intel® Atom™ processor N270 1.6GHz processor, VGA, dual PCIe GbE, USB 2.0, SATA |
| 19800-000049-RS     | LPT cable  |
| 32102-000100-200-RS | SATA power cable   |
| 32225-002000-200-RS | ATA 66 flat cable  |
| AC-KIT08R-R10       | 5.1-channel AC'97 audio kit with Realtek ALC655  |
| AC-KIT-892HD-R10    | 7.1-channel HD Audio kit with Realtek ALC892 supports dual audio streams                       |