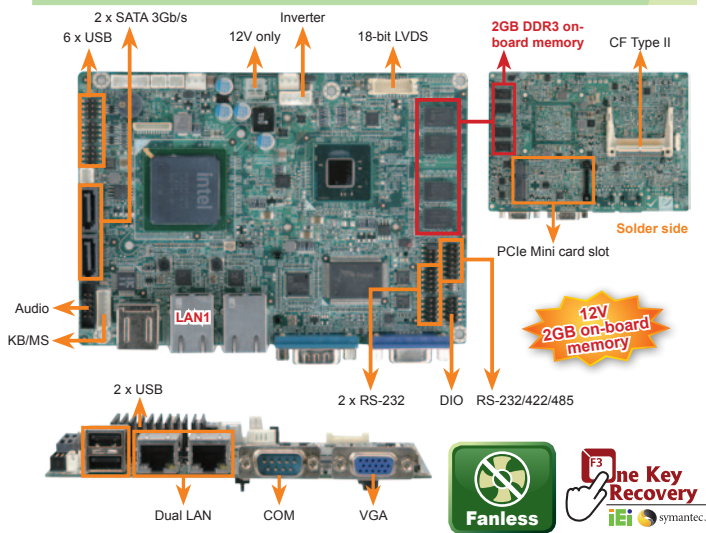


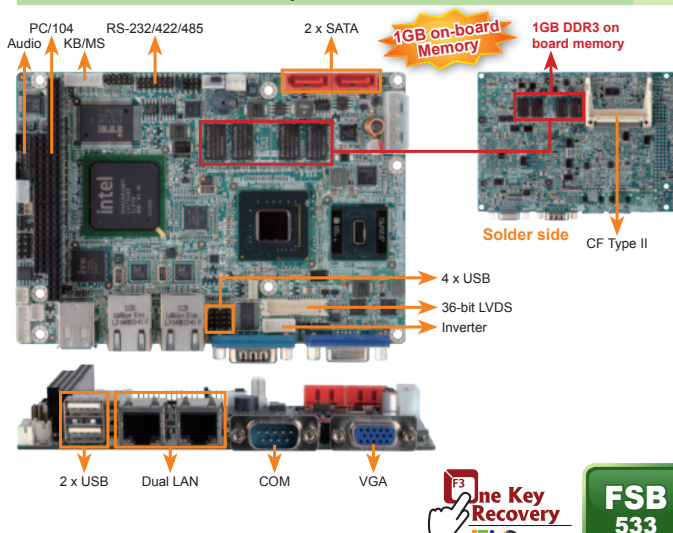
## WAFER-PV-N4551/D5251-R12

3.5" SBC with Intel® Atom™ D425/N455/D525, DDR3 2GB memory on board, VGA/LVDS, Dual GbE, USB 2.0 and SATA 3Gb/s, Audio, RoHS



## WAFER-945GSE2-R20

3.5" SBC with Intel® Atom™ N270 1.6G, VGA/LVDS, Dual GbE, CF Type II, USB, SATA, 1GB on-board Memory and PC/104



### Features

1. 3.5" form factor with Intel® Atom™ D525/D425/N455 processor supports DDR3 memory
2. 12V only single voltage design for AT/ATX power
3. On-board DDR3 800 MHz 2GB SDRAM
4. Support VGA and 18-bit single-channel LVDS with dual-display support
5. Complete I/O with eight USB, two SATA 3Gb/s, one CF Type II, four COM and audio
6. IEI One Key Recovery solution allows you to create rapid OS backup and recovery

### Specifications

- ◆ CPU
  - Intel® Atom™ D525 dual-core processor 1.8GHz/1MB L2 cache
  - Intel® Atom™ D425 single-core processor 1.8GHz/512KB L2 cache
  - Intel® Atom™ N455 single-core processor 1.66GHz/512KB L2 cache
- ◆ Chipset: ICH8M
- ◆ BIOS: UEFI BIOS
- ◆ Memory
  - On-board DDR3 800MHz 2GB SDRAM
- ◆ Graphic
  - GMA 3150
  - Graphic core speed 400MHz for D525/D425
  - Graphic core speed 200MHz for N455
- ◆ Display Interface
  - Analog CRT up to 2048x1536 for D525/D425, 1400x1050 for N455
  - Support for CRT hotplug
  - Single-channel 18-bit LVDS, resolution support up to WXGA 1366x768 or XGA 1024x768
- ◆ Ethernet
  - LAN1: Realtek RTL8111E controllers with ASF2.0 supported
  - LAN2: Realtek RTL8111E controllers
  - Audio: Intel ALC662 HD Audio codec
  - Expansion: 1 x PCIe Mini card slot
- ◆ Digital I/O: 8-bit digital I/O, 4-bit input/4-bit output
- ◆ I/O Interfaces
  - 3 x RS-232
  - 1 x CF Type II
  - 1 x KB/MS
  - 2 x SATA 3Gb/s
  - 8 x USB 2.0
  - 1 x RS-232/422/485 with Auto Flow control
- ◆ Watchdog Timer
  - Software programmable supports 1~255 sec. system reset by Super I/O
- ◆ Power Supply
  - 12V input only AT/ATX mode select
  - 4-pin (2x2) power connector
- ◆ Super IO: Fintek F81865
- ◆ Fan Connector
  - 1 x 3-pin CPU fan, 1 x 3-pin system fan
- ◆ Power Consumption
  - 1.7A @ 12V (Intel® Atom™ D525 with 1GB 1066MHz DDR3)
  - 1.52A @ 12V (Intel® Atom™ D425 with 1GB 1066MHz DDR3)
  - 1.33A @ 12V (Intel® Atom™ N455 with 1GB 1066MHz DDR3)
- ◆ Operating Temperature: -10°C ~ 60°C
- ◆ Storage Temperature: -20°C ~ 70°C
- ◆ Operating Humidity: 5% ~ 95%, non-condensing
- ◆ Dimensions: 146 mm x 102 mm
- ◆ Weight: GW: 650g/NW: 170g

### Packing List

1 x WAFER-PV-N4551/D5251 single board computer	
1 x SATA with 5V output cable (P/N: 32801-000201-300-RS)	
1 x Audio cable (P/N: 32000-072100-RS)	1 x One Key Recovery CD
1 x KB/MS cable (P/N: 32000-023800-RS)	1 x Mini jumper pack
1 x Power cable (P/N: 32100-087100-RS)	1 x Utility CD 1 x QIG

### Ordering Information

Part No.	Description
WAFER-PV-D5251-2GB-R12	3.5" SBC with Intel® Atom™ D525 1.8GHz, 2GB DDR3 memory on board, VGA/LVDS, Dual GbE, USB 2.0 and SATA 3Gb/s, audio, RoHS
WAFER-PV-N4551-2GB-R12	3.5" SBC with Intel® Atom™ N455 1.66GHz, 2GB DDR3 memory on board, VGA/LVDS, Dual GbE, USB 2.0 and SATA 3Gb/s, audio, RoHS
32000-070301-RS	Dual port USB cable
32000-062800-RS	SATA cable
32200-026500-RS	RS-232/422/485 cable
19FFD124010HB2A7-000001-RS	CPU fan
34000-000510-RS	30mm higher heatsink

### Features

1. Intel® Atom™ N270 1.6GHz processor for ultra low voltage fanless support
2. Support VGA and LVDS for dual display
3. On-board 1GB DDR2 memory
4. Support two COM, six USB 2.0, two SATA and one CF Type II socket
5. Support PC/104 ISA expansion slot
6. IEI One Key Recovery solution allows you to create rapid OS backup and recovery

### Specifications

- ◆ CPU
  - Intel® Atom™ processor N270 1.6GHz with a 533MHz FSB
- ◆ System Chipset
  - Intel® 945GSE
  - Intel® 82801GBM/ICH7M
- ◆ BIOS
  - AMI BIOS
- ◆ Memory
  - 1GB on-board DDR2 SDRAM
- ◆ Ethernet
  - Dual LAN: Realtek RTL8111E controllers
- ◆ I/O Interface
  - 6 x USB 2.0
  - 2 x SATA
  - 1 x RS-232
  - 1 x RS-232/422/485
  - 1 x CF Type II
  - 1 x PS/2 for KB/MS
- ◆ Digital I/O
  - 8-bit digital I/O (4-bit input, 4-bit output)
- ◆ Super IO
  - ITE IT8718
- ◆ Expansion
  - PC/104 (ISA Bus, not support ISA DMA Mode)
- ◆ Audio
  - Realtek ALC662 with HD Audio codec
- ◆ Display Interface
  - Intel® Graphics Media Accelerator 950 VGA integrated in Intel® 945GSE
  - 18-bit dual-channel LVDS integrated in Intel® 945GSE
- ◆ Watchdog Timer
  - Software programmable support 1~255 sec. system reset
- ◆ Power Supply
  - 5V only, 12V for LCD/system fan, AT/ATX support
- ◆ Watchdog Timer
  - Software programmable 1-255 sec. by super I/O
- ◆ Operating Temperature
  - 0°C ~ 60°C (WAFER-945GSE2-N270-R20)
  - 20°C ~ 70°C (WAFER-945GSE2-N270W-R20)
- ◆ Storage Temperature: -30°C ~ 80°C
- ◆ Operating Humidity: 5% ~ 95%, non-condensing
- ◆ Power Consumption
  - 5V@2.36A (Intel® Atom™ N270 1.6G with on-board 1GB DDR2)
- ◆ Dimensions: 146 mm x 102 mm
- ◆ Weight: GW: 700g/NW 230g

### Packing List

1 x WAFER-945GSE2 single board computer	
1 x Audio cable (P/N: 32000-072100-RS)	1 x One Key Recovery CD
1 x KB/MS cable (P/N: 32000-023800-RS)	1 x Mini jumper pack
4 x Plastic intermediate pole for PC/104	1 x Utility CD
2 x SATA cable (P/N: 32000-062800-RS)	1 x QIG

### Ordering Information

Part No.	Description
WAFER-945GSE2-N270-R20	3.5" SBC with Intel® Atom™ processor N270 1.6G, VGA/LVDS, Dual GbE, CF Type II, USB, SATA, on board 1GB memory and PC/104
WAFER-945GSE2-N270W-R20	3.5" SBC with Intel® Atom™ processor N270 1.6G, VGA/LVDS, Dual GbE, CF Type II, USB, SATA, on board 1GB memory and PC/104, -20°C ~ 70°C
32000-070301-RS	Dual port USB cable
32200-026500-RS	RS-232/422/485 cable
32102-022100-100-RS	ATX power cable
32102-000100-200-RS	SATA power cable