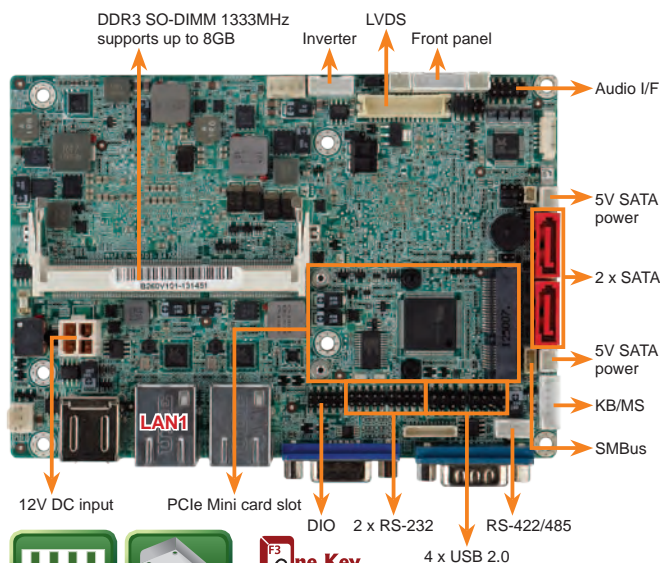


WAFER-NM701-1007U

3.5" SBC with on-board Intel® Celeron® Dual-core 1007U 1.5GHz Processor, DDR3, VGA/LVDS, Dual GbE, USB 2.0, mSATA, SATA 3Gb/s and Audio

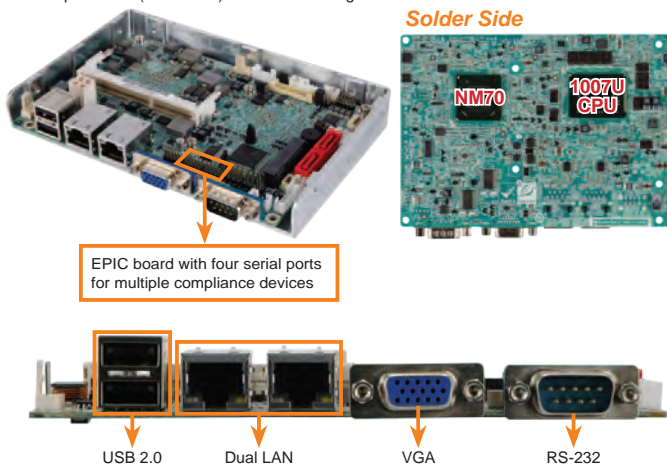


Specifications

- ◆ CPU
 - On-board 32nm 1.5GHz Intel® Celeron® 1007U dual-core mobile processor
- ◆ PCH
 - Intel® NM70
- ◆ BIOS
 - UEFI BIOS
- ◆ Memory
 - One 204-pins 1333/1600 DDR3 SO-DIMM supported (system max. 8GB)
- ◆ Graphics
 - Intel® HD Graphics Gen 6 support for DX10.1 and OpenGL 3.0
 - Full MPEG2, VC1, AVC Decode
- ◆ Display Output
 - Dual independent display support
 - VGA integrated in NM70 (2048x1536@75MHz)
 - Dual channel 24-bit LVDS integrated in NM70 (1920x1600@60MHz)
- ◆ Ethernet
 - Dual LAN: GbE Realtek RTL8111E controller with ASF 2.0 support
- ◆ Super I/O
 - Fintek F81867
- ◆ I/O Interface
 - 2 x USB 2.0 (on rear)
 - 4 x USB 2.0 (by pin header)
 - 1 x RS-422/485 (by pin header)
 - 2 x SATA 3Gb/s with SATA 5V power connector
 - 1 x 6-pin wafer for PS/2 KB/MS
 - 3 x RS-232 (1 on rear, 2 by pin header)
- ◆ Audio
 - Realtek ALC662 HDA codec (Line-in, Line-out, Mic)
- ◆ Front Panel
 - 1 x 10-pin (1x10) header
- ◆ SMBus
 - 1 x 4-pin (1x4) wafer
- ◆ Expansion
 - 1 x Full/Half-size PCIe Mini card slot with mSATA support
- ◆ Digital I/O
 - 8-bit digital I/O (4-bit input/ 4-bit output)
- ◆ Fan Connector
 - 1 x 4-pin CPU fan connector
 - 1 x 3-pin system fan connector (smart fan support)
- ◆ Power Supply
 - 12V only, AT/ATX support
- ◆ Power Consumption
 - 12V@2.72A (Intel® mobile Celeron® 1007U 1.5GHz processor with 1333MHz 8GB DDR3 memory)
- ◆ Watchdog Timer
 - Software programmable support 1~255 sec. System reset
- ◆ Operating Temperature
 - 10°C ~ 60°C
- ◆ Storage Temperature
 - 20°C ~ 70°C
- ◆ Operating Humidity
 - 5% ~95%, non-condensing
- ◆ Dimensions
 - 146 mm x 102 mm
- ◆ Weight
 - GW:600g / NW:250g

Cost Effective Performance Solution

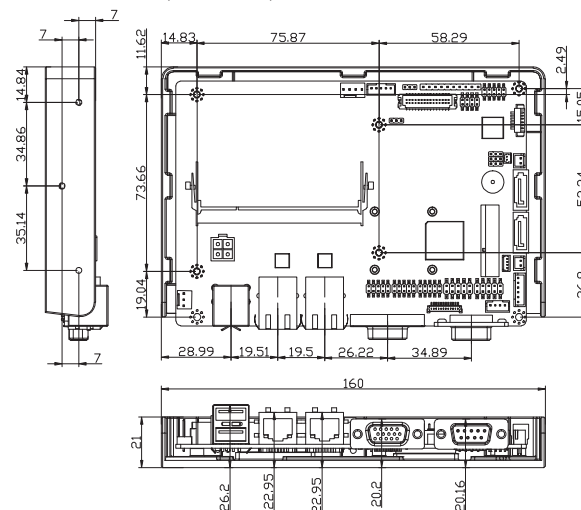
The first low power Intel® Celeron® Dual-core platform with on-board processor (TDP=35W) with fanless design.



Features

1. 3.5" SBC with on-board 32nm 1.5GHz Intel® Celeron® 1007U dual-core mobile processor
2. VGA and LVDS support dual display
3. One 204-pin 1333/1600MHz DDR3 SO-DIMM supports up to 8GB memory
4. Easy fanless thermal design by assembling heat spreader on system chassis
5. Supports four COM, six USB 2.0, two SATA 3Gb/s, one mSATA and audio
6. IEI One Key Recovery solution allows you to create rapid OS backup and recovery

Dimensions (Unit: mm)



Packing List

1 x WAFER-NM701-1007U single board computer with heat spreader	
2 x Plastic shaft for securing half-size PCIe Mini card (P/N: 43124-0010C2-01-RS)	
2 x SATA with power cable kit (P/N: 32801-000201-300-RS)	
1 x PS/2 KB/MS Y-cable (P/N: 32000-023800-RS)	1 x Mini jumper pack
1 x Audio cable (P/N: 32000-072100-RS)	1 x One Key Recovery CD
1 x Power cable (P/N: 32100-087100-RS)	1 x QIG (Quick Installation Guide)
1 x RS-232 cable (P/N: 32200-000049-RS)	1 x Utility CD

Ordering Information

Part No.	Description
WAFER-NM701-1007U-R10	3.5" SBC with on-board Intel® Celeron® Dual-core 1007U 1.5GHz Processor, DDR3, VGA/LVDS, Dual GbE, USB 2.0, mSATA, SATA 3Gb/s and Audio
32000-044300-RS	Dual port USB cable
32205-003800-300-RS	RS-422/485 cable, 200mm
32200-000049-RS	RS-232 cable, 200mm, pitch 2.0mm