

# IOVU-12F-AD

12" Freescale™ i.MX6 Cortex™-A9 Quad Core 1.0 GHz

# IOVU-15F-AD

15" Freescale™ i.MX6 Cortex™-A9 Quad Core 1.0 GHz

# IOVU-17F-AD

17" Freescale™ i.MX6 Cortex™-A9 Quad Core 1.0 GHz



## Features

- Freescale™ i.MX6 Cortex™-A9 Quad Core 1.0 GHz
- Aesthetic ultra-thin bezel for seamless panel mount installation
- Projected Capacitive Touchscreen
- Robust IP65 aluminum front bezel
- Build-in Wi-Fi+BT & PoE
- Android 4.2 OS
- One CAN 2.0 and four GPIO
- 12V~36V wide range DC power input

## Specifications



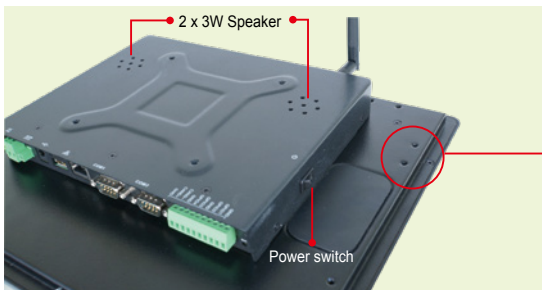
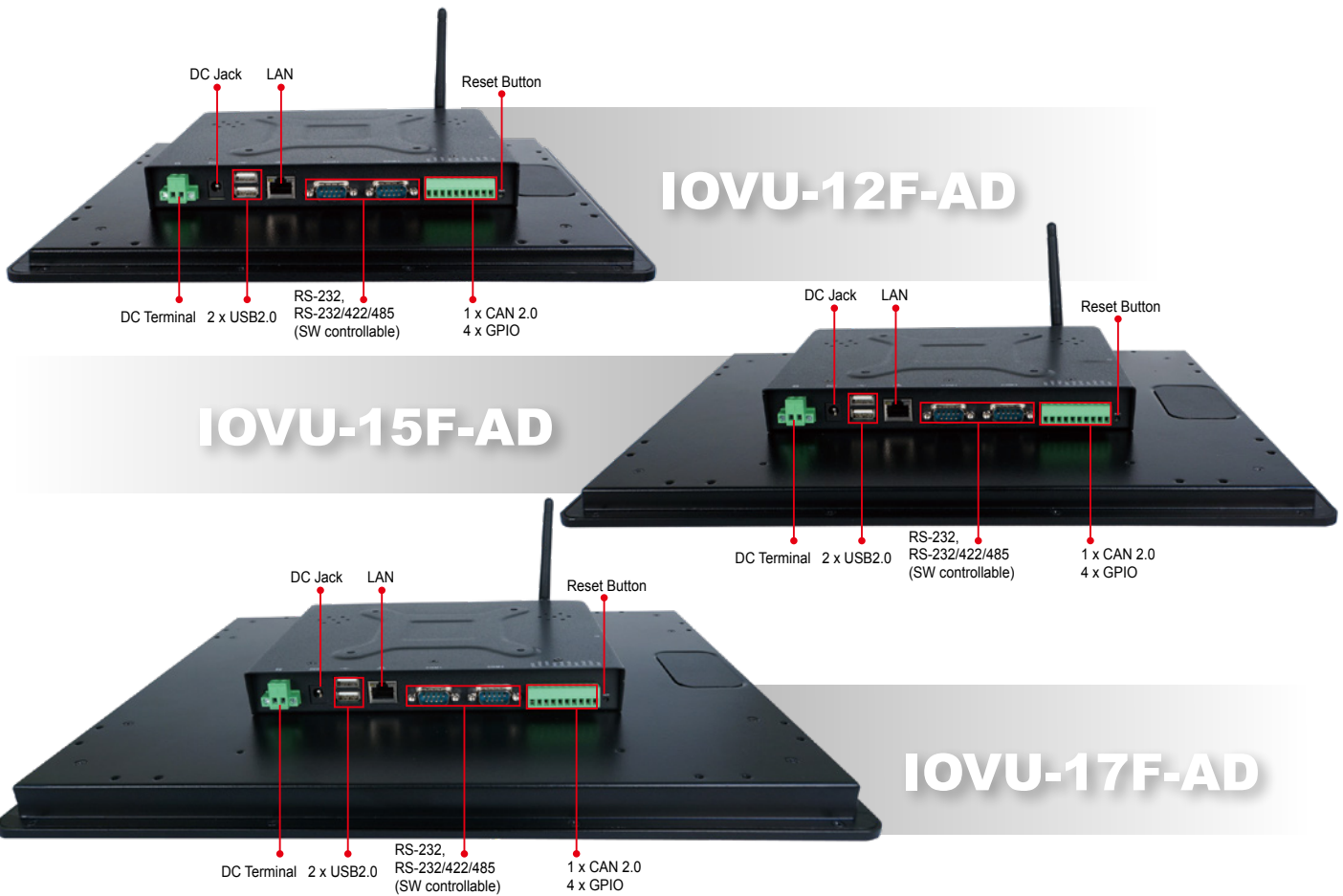
| Model                           | IOVU-12F-AD  | IOVU-15F-AD                     | IOVU-17F-AD                     |
|---------------------------------|--|---------------------------------|---------------------------------|
| Size                            | 12" (4:3)  | 15" (4:3)                       | 17" (4:3)                       |
| Resolution                      | 1024(W) x 768(H)   | 1024(W) x 768(H)                | 1280(W) x 1024(H)               |
| Brightness (cd/m <sup>2</sup> ) | 600  | 400                             | 350                             |
| Contrast Ratio                  | 700 : 1  | 700 : 1                         | 800 : 1                         |
| LCD Color                       | 16.2M  | 16.2M                           | 16.7M                           |
| Pixel Pitch (mm)                | 0.24 x 0.24  | 0.297x 0.297                    | 0.264 x 0.264                   |
| Viewing Angle (H-V)             | 160° / 140°  | 160° / 140°                     | 170° / 160°                     |
| Backlight MTBF(hrs)             | 50000  | 50000                           | 50000                           |
| Touchscreen                     | Projected capacitive flat touch  | Projected capacitive flat touch | Projected capacitive flat touch |
| CPU                             | Freescale™ i.MX6 Cortex™-A9 quad core 1.0 GHz  |                                 |                                 |
| RAM                             | 2GB DDR3 SDRAM   |                                 |                                 |
| Boot Flash                      | 8G eMMC Nand Flash   |                                 |                                 |
| OS Support                      | Android 4.2.2  |                                 |                                 |
| Input / Output                  | 1 x 10/100/1000 Mbps Power over Ethernet<br>2 x USB 2.0 host<br>1 x RS-232 full function (DB-9)<br>1 x RS-232/422/485 by DB-9 (software controllable)<br>1 x 12V~36V DC terminal block<br>1 x SD slot (up to 32GB) (Hidden)<br>1 x CAN 2.0<br>4 x GPIO<br>1 x DC jack<br>1 x On/Off power switch<br>1 x Reset button |                                 |                                 |
| Audio                           | 2 x 3W Speaker   |                                 |                                 |
| Thermal Solution                | Fanless  |                                 |                                 |
| Wireless                        | BT4.0+WiFi Controller for 802.11 b/g/n   |                                 |                                 |
| Construction Material           | Aluminum front cover and sheet metal rear cover  |                                 |                                 |
| Mounting                        | Panel, Wall, Stand, VESA Mount 100mm x 100mm   |                                 |                                 |
| Color                           | Black  |                                 |                                 |
| Dimensions (WxHxD) (mm)         | 322.2 x 262.2 x 45.5   | 378.5 x 303 x 48.2              | 408.4 x 341.4 x 54.3            |
| Operating Temperature (°C)      | -20°C ~ 60°C   |                                 |                                 |
| Storage Temperature (°C)        | -30~70°C   |                                 |                                 |
| Humidity                        | 5% to 90% (non-condensing)   |                                 |                                 |
| IP Level                        | IP 65 compliant front panel  |                                 |                                 |
| Power Requirement               | 12~36V DC  |                                 |                                 |
| Power Consumption               | 36V @ 0.8A   | 36V @ 0.72A                     | 36V @ 0.86A                     |
| Net Weight                      | 2.2 kg   | 3 kg                            | 4.8 kg                          |

### Ordering Information

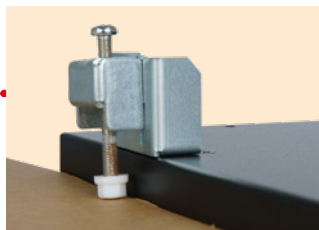
| Part Number         | Description   |
|---------------------|---|
| 12" IOVU-12F-AD-R10 | 12" TFT-LCD; Freescale™ i.MX6 Cortex™-A9 1.0 GHz; WiFi/Bluetooth; POE 802.3 at; Android 4.2 ,RoHS |
| 15" IOVU-15F-AD-R10 | 15" TFT-LCD; Freescale™ i.MX6 Cortex™-A9 1.0 GHz; WiFi/Bluetooth; POE 802.3 at; Android 4.2 ,RoHS |
| 17" IOVU-17F-AD-R10 | 17" TFT-LCD; Freescale™ i.MX6 Cortex™-A9 1.0 GHz; WiFi/Bluetooth; POE 802.3 at; Android 4.2 ,RoHS |

### Options

| Item            | IOVU-12F-AD  | IOVU-15F-AD                  | IOVU-17F-AD                  |
|-----------------|--|------------------------------|------------------------------|
| Power Adapter   | 63040-010060-130-RS (Vin:90~264VAC;60W;Vout:12VDC) |                              |                              |
| ARM             | ARM-11-RS  | ARM-31-RS                    | ARM-31-RS                    |
| Stand           | STAND-A12-RS                                       | STAND-A19-RS<br>STAND-B19-RS | STAND-C19-RS<br>STAND-A21-RS |
| Wall Mount Kit  | AFLWK-19B  |                              |                              |
| Panel Mount Kit | FPK-01-R10   |                              |                              |

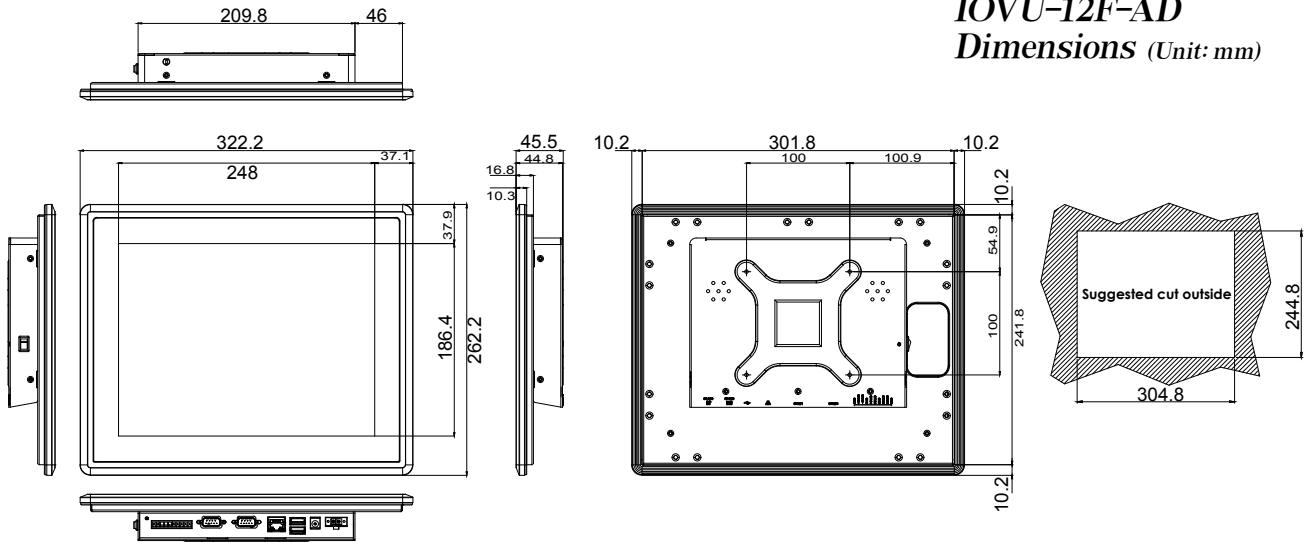


### ■ New Panel Mount Screw Design

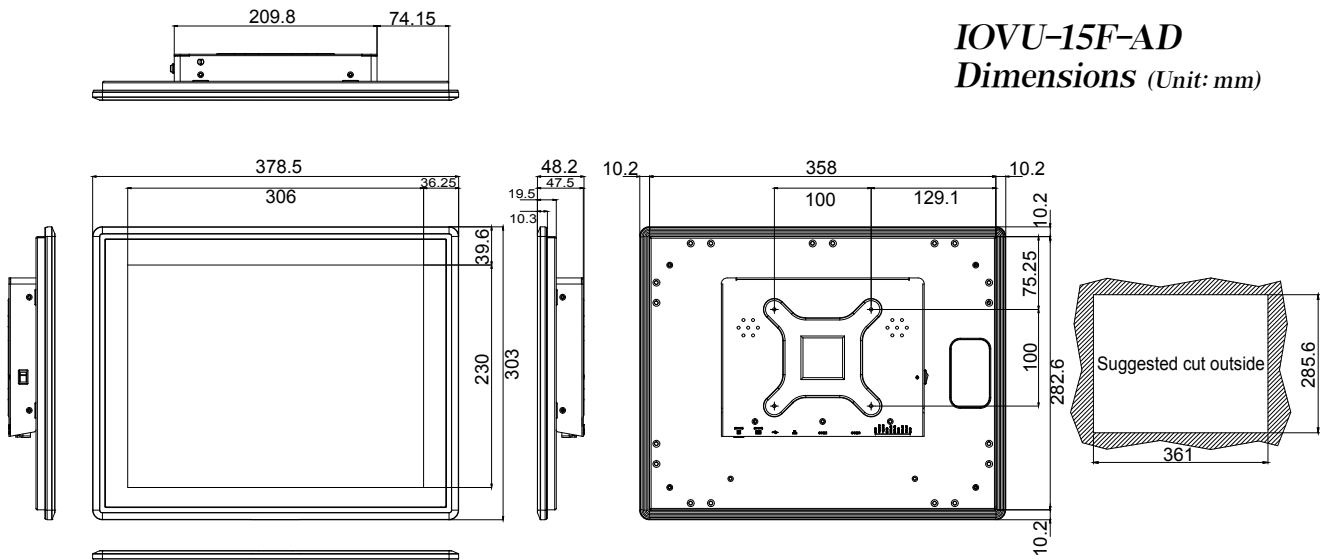


The IOVU series is shipped with the new panel mount screws allowing users to fasten either with screwdrivers or hands.

**IOVU-12F-AD**  
**Dimensions (Unit: mm)**



**IOVU-15F-AD**  
**Dimensions (Unit: mm)**



**IOVU-17F-AD**  
**Dimensions (Unit: mm)**

