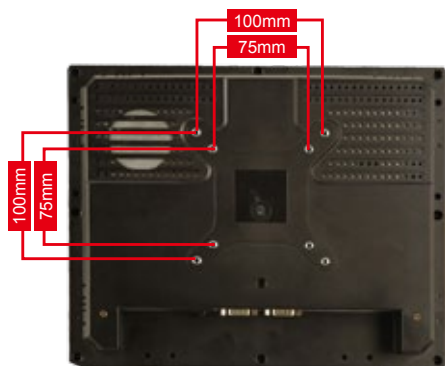


IEI Quick Mounting Technology



Compliant with VESA Mounting Standards
IEI panel solutions have four mounting holes compliant with the VESA (Video Electronics Standards Association) mounting standard (75mm x 75mm/100mm x 100mm) on the rear panel for stand mounting and other mounting methods.

- | | |
|--------------------------|----------------------------|
| 1. Stand Mounting | 5. In-Wall Mounting |
| 2. V-STAND | 6. Panel Mounting |
| 3. ARM | 7. Rack Mounting |
| 4. Wall Mounting | 8. Din Mounting |

1. Stand Mounting

VESA 75/100 Universal Stand

STAND-A21-R10



New

1

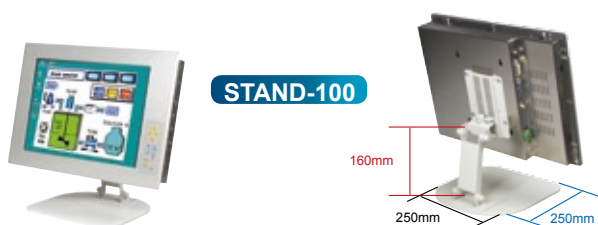
Ordering Information

IEI Mobile Solutions

Part No.	Description
STAND-A21-R10	15"~21" VESA 75x75 mm/100x100 mm PPC/Monitor Stand, support from 6 KG to ~12 KG, Black, RoHS

2

Automation Panel Solutions



3

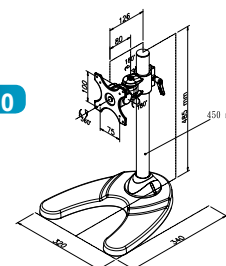
PACSmate Medical Solutions

Ordering Information

Part No.	Description
STAND-100-RS	<ul style="list-style-type: none"> Material: Heavy-duty steel Adjustable display angle 3kg to 8kg loading capacity Color: White (Pantone 413C)



STAND-210



Ordering Information

Part No.	Description
STAND-210-R11	<ul style="list-style-type: none"> Support VESA 75/100 standard Weight capacity from 7kg~10kg

4

Optional Peripherals

2. V-STAND

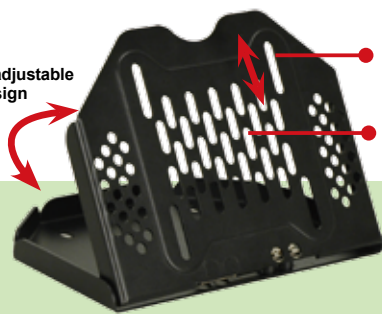
VESA Multi-Mounting Stand

IEI patented multi-mounting V-Stand allows wall, ceiling, desk, rear and side mounting to meet diverse applications. Its 0° to 90° adjustable hinge design provides optimal viewing in various environments, such as kitchen, room or shelf.

VESA	Model
75 x 75mm	VSTAND-A07-R11
	VSTAND-A10-R11
75 x 75mm / 100 x 100mm	VSTAND-A12-R11



3. 0° to 90° adjustable hinge design



1. Height adjustable and VESA 75/100 compliant mounting holes

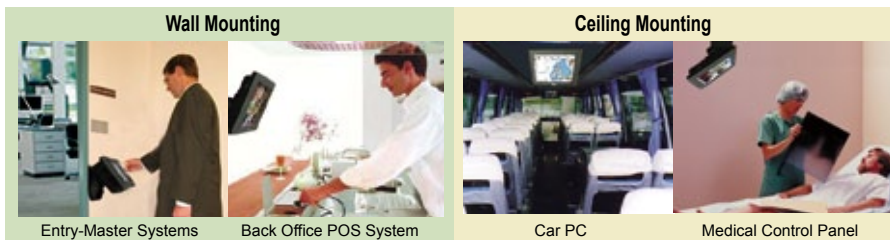
2. Heat dissipation holes help to cool down the system

Features:

- 0° to 90° adjustable hinge design allows comfortable viewing
- Standard VESA 75/100 compliance
- Heat dissipation holes
- Compact size, easy to use for mounting anywhere

A. One fits all solution

The V-Stand is a compact and tilt adjustable mounting stand providing mobility and ergonomic comfort to fit common wall mounting and ceiling mounting situations.



B. 0° to 90° excellent adjustability

You can change the angle of the stand from 0° to 90° to reach almost any point with ergonomic features for comfortable viewing.



POS System



Self-ordering System

No Hinge Limitation!

C. Space saving and easy installation

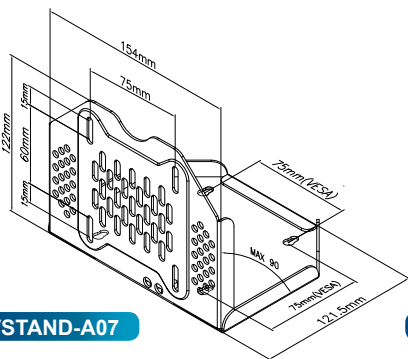


1: Tighten the screws in the rear of the AFOLUX PPC VESA mounting holes

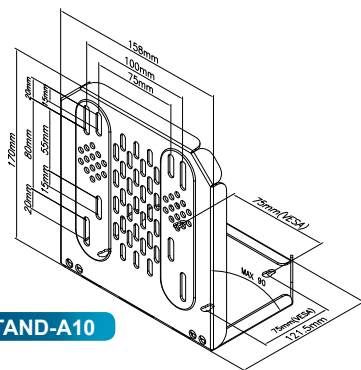
2: Select the position to mount stand kit

3: Plug in the system to operate

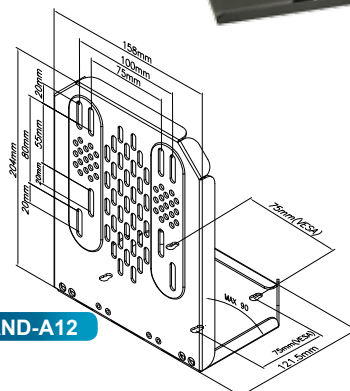
Compact size provides mobility



VSTAND-A07



VSTAND-A10



VSTAND-A12

Ordering Information

Part No.	Description
VSTAND-A07-R11	LCD monitor / PPC stand V type, for AFL series, VESA 75, 0°~90° degree adjustable hinge, support up to 2.5 kg, RoHS
VSTAND-A10-R11	LCD monitor / PPC stand V type, for AFL series, VESA 75/100, 0°~90° degree adjustable hinge, support up to 3 kg, RoHS
VSTAND-A12-R11	LCD monitor / PPC stand V type, for AFL series, VESA 75/100, 0°~90° degree adjustable hinge, support up to 3.5 kg, RoHS

1

IEI Mobile Solutions

2

Automation Panel Solutions

3

PACSmate Medical Solutions

4

Optional Peripherals

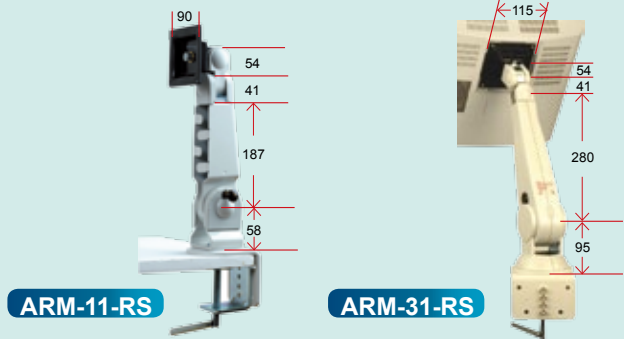
3. ARM

VESA 75/100 Desk ARM

VESA	Model
75x75mm/100x100mm	ARM-11-RS ARM-31-RS

Ordering Information

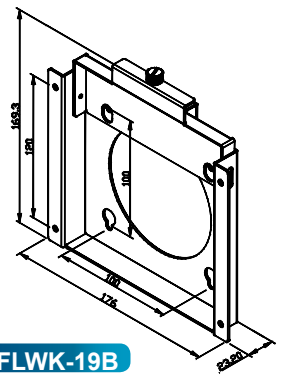
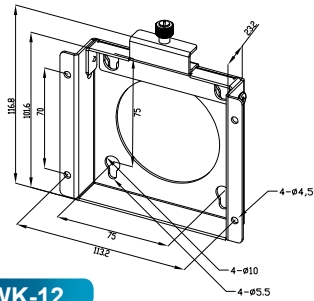
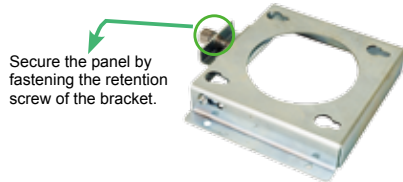
Part No.	Description
ARM-11-RS	LCD Monitor / PPC ARM, VESA 75/100, 3kg~6kg, RoHS
ARM-31-RS	LCD Monitor / PPC ARM, VESA 75/100, 7kg~14kg, RoHS



4. Wall Mounting

VESA 75/100 Wall Mounting

VESA	Model
75x75mm 100x100mm	AFLWK-12 AFLWK-19B



Ordering Information

Part No.	Description
AFLWK-12	5.6"~12" VESA 75x75mm PPC/Monitor Wall Mount Kit with Retention Screw, Silver color, RoHS
AFLWK-19B	15"~19" VESA 100x100mm PPC/Monitor Wall Mount Kit with Retention Screw, Silver color, RoHS

5. In-Wall Mounting

Changeable Faceplate/Sticker

Self-drilling screws
 1. Diameter: M4
 2. Length: >15mm

AFL-4 Series

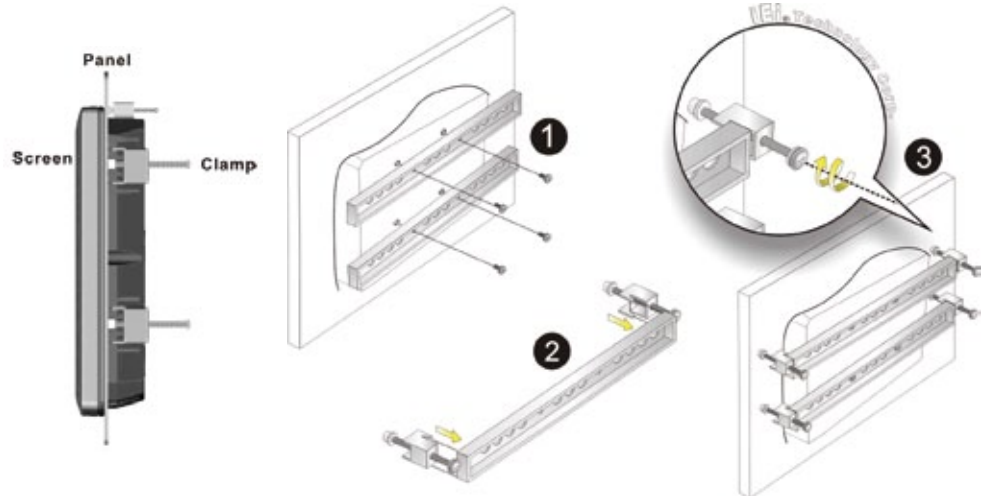
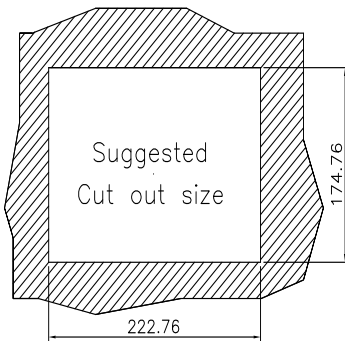
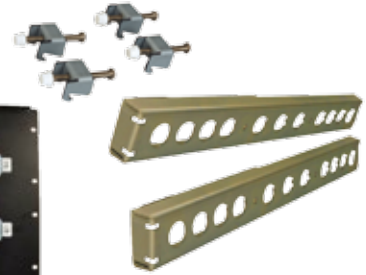
- 1 IEI Mobile Solutions
- 2 Automation Panel Solutions
- 3 PACSmate Medical Solutions
- 4 Optional Peripherals

6. Panel Mounting

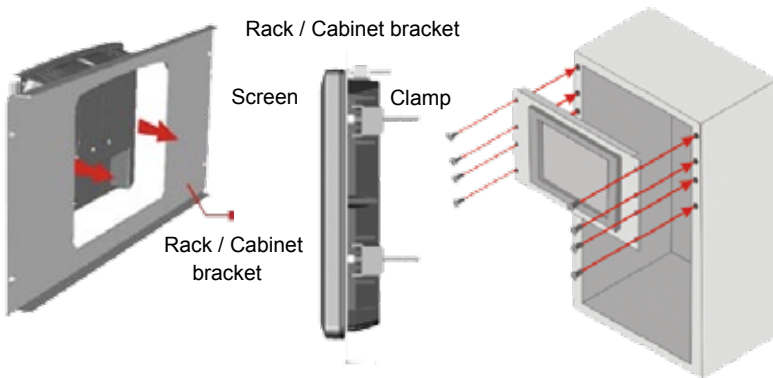
Type A



Type B



7. Rack Mounting



Ordering Information

Part No.	Description
AFLRK-xx	For AFOLUX PPC/Monitor Series

1

IEI Mobile Solutions

2

Automation Panel Solutions

3

PACSmate Medical Solutions

4

Optional Peripherals

8. Din Mounting



Ordering Information

Part No.	Description
DK-84MS	For 6.5"-8.4" Industrial Aluminum Panel PCs/ Industrial Monitors

IEI AFOLUX PPC Mounting Solution Table

AFOLUX Panel PC

Model	AFL-057A-LX	AFL-057A-Zxxx	AFL-07A-LX	AFL-07A-N270	AFL-07A-N26	AFL-08AH-LX	AFL-08AH-N270	AFL-F08A-N270	AFL-08A-N26	AFL-08B-N270
Panel Mount Kit	AFLPK-12									
Wall Mount Kit	AFLWK-12									
Rack Mount Kit	AFLRK-057		AFLRK-07				AFLRK-08			
ARM	ARM-11-RS / ARM-31-RS									
Stand	STAND-C12-R10 / STAND-100-RS		STAND-100-RS							
VSTAND	VSTAND-A07-R11					VSTAND-A10-R11				
Model	AFL-W10A-N270	AFL-10A-LX	AFL-10A-N270	AFL-10A-N26	AFL-12A-LX	AFL-12A-N270	AFL-12A-N26	AFL-15A(E)-N270	AFL-15i(E)-HM55	AFL-W15A-N270
Panel Mount Kit	AFLPK-12							AFLPK-15	AFLPK-15B	
Wall Mount Kit	AFLWK-19B	AFLWK-12					AFLWK-19B			
Rack Mount Kit	AFLRK-W10	AFLRK-10		AFLRK-12			AFLRK-15-R11	N/A	AFLRK-W15	
ARM	ARM-11-RS / ARM-31-RS			ARM-11-RS / ARM-31-RS			ARM-11-RS / ARM-31-RS			
Stand	STAND-A12-RS / STAND-100-RS			STAND-A12-RS / STAND-100-RS			STAND-A19-RS / STAND-A21-R10 / STAND-210-R11			
VSTAND	VSTAND-A10-R11			VSTAND-A12-R11			N/A	N/A	N/A	
Model	AFL-W15A-GM45	AFL-17D-N270	AFL-17i-HM55	AFL-17D-GM45	AFL-19i-HM55	AFL-W19A-N270				
Panel Mount Kit	AFLPK-15B	AFLPK-17D	AFLPK-17B	AFLPK-17D	AFLPK-19B	AFLPK-W19B				
Wall Mount Kit	AFLWK-19B									
Rack Mount Kit	AFLRK-W15	AFLRK-17D-R11	N/A	AFLRK-17D-R11	N/A	N/A				
ARM	ARM-11-RS / ARM-31-RS									
Stand	STAND-A19-RS / STAND-A21-R10 / STAND-210-R11									
VSTAND	N/A	N/A	N/A	N/A	N/A	N/A				

AFOLUX GEN 2 Panel PC

Model	AFL2-W07A-N26	AFL2-08A-N26	AFL2-W10A-N28	AFL2-10A-N28	AFL2-12A-D525	AFL2-12A-HM65
Panel Mounting Kit	AFL2PK-08A		AFL2PK-10A		AFLPK-15	
Wall Mounting Kit	AFLWK-12		AFLWK-12		AFLWK-19B	
Rack Mounting Kit	AFL2RK-W07A	AFL2RK-08A	AFL2RK-W10A	AFL2RK-10A	AFL2RK-12	
ARM	N/A	N/A	N/A	N/A	ARM-11-RS	
Stand	STAND-B08/STAND-C12-R10		STAND-C12-R10/STAND-A21-R10		STAND-A12-RS/STAND-A19-RS/STAND-A21-R10/STAND-C12-R10	
V-Stand	VSTAND-A07-R11		VSTAND-A10-R11		VSTAND-A12-R11	
Model	AFL2-15A-H61	AFL2-W15B-H61	AFL2-W15A-N27	AFL2-17A-H61	AFL2-W19A-H61	AFL2-W21A-H61
Panel Mounting Kit	N/A	AFL2PK-W15B	AFL2PK-W15A-R10	AFL2PK-17A	AFL2PK-W19A	AFL2PK-W21A
Wall Mounting Kit	AFLWK-19B					
Rack Mounting Kit	N/A	AFL2RK-W15B	N/A	AFL2RK-17A	N/A	N/A
ARM	ARM-11-RS/ARM-31-RS		ARM-11-RS/ARM-31-RS	ARM-31-RS		
Stand	STAND-A21-R10/STAND-C19-R10/STAND-210-R11		STAND-A19-RS/STAND-A21-R10/STAND-C19-R10/STAND-210-R11	STAND-A19-RS/STAND-A21-R10/STAND-C19-R10/STAND-210-R11		STAND-A21-R10
V-Stand	N/A		N/A	N/A		

1

IEI Mobile Solutions

2

Automation Panel Solutions

3

PACSmate Medical Solutions

4

Optional Peripherals