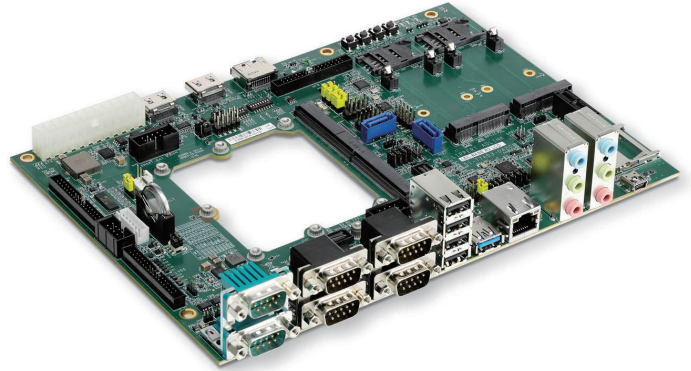


LEC-BASE MINI

2nd Generation SMARC Reference Carrier Board

Features

- SMARC 1.1 compliant carrier board with MXM3 connector
- Reduced board size of 237 mm x 170 mm
- Compatible with both short and full size SMARC modules
- Standard conugration supports parallel RGB, single channel LVDS and HDMI display
- Custom conugration supports dual channel LVDS, HDMI and third HDMI/DP display
- Connector for camera add-on card
- ATX power supply



Specifications

Interfaces

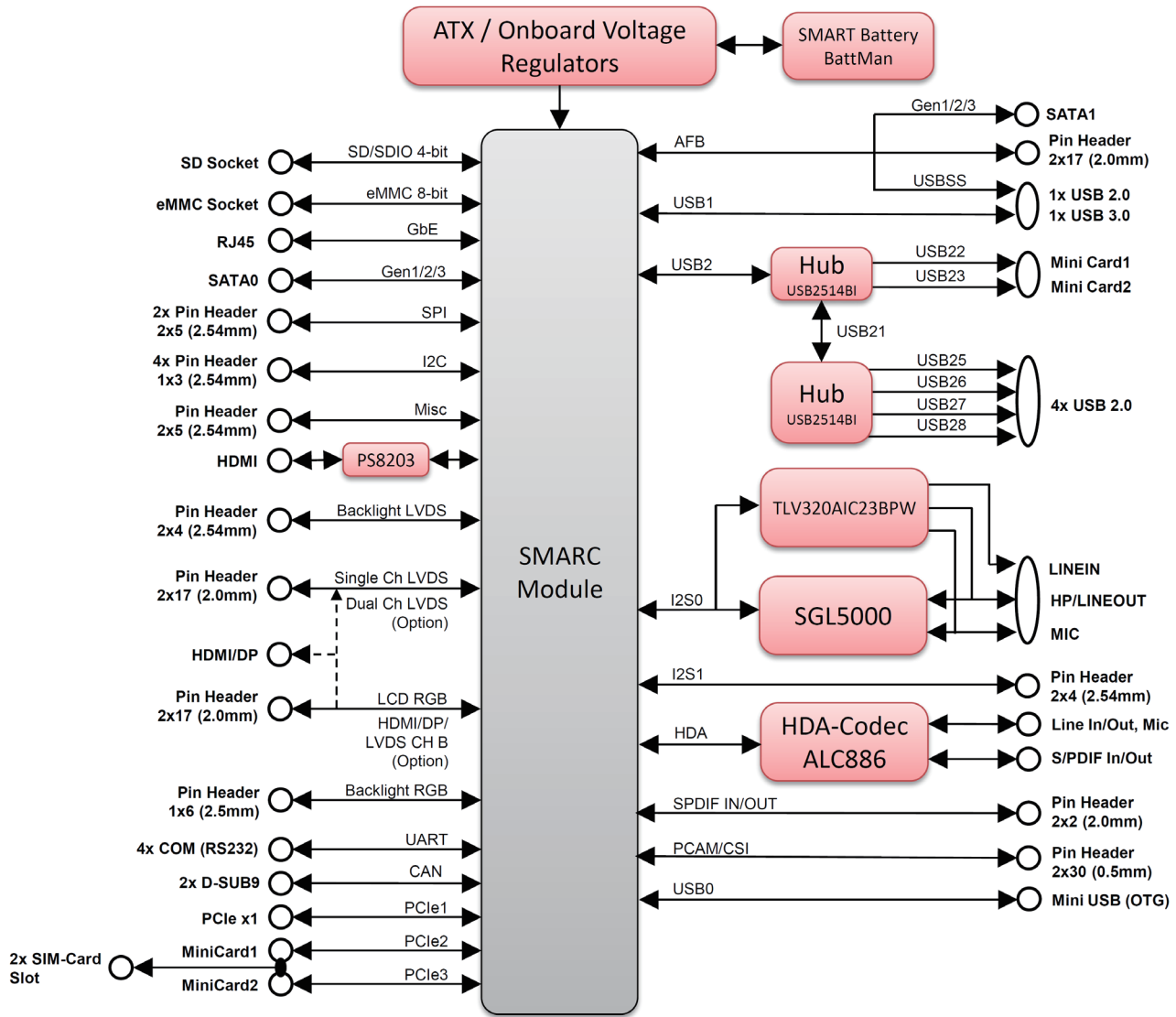
Display	Standard conugration: Parallel LCD, single channel LVDS (18/24bit), HDMI Custom conugration: Dual channel LVDS, HDMI, additional HDMI/DP (see order information) RGB and LVDS backlight control header	PCI Express	One PCIe x1 link connector Two mini PCIe x1 slots PCIe Gen1, Gen 2 or Gen 3 (module dependent) PCIe support signals PCIe wake signal (depending on module) 2x SIM card slots
Camera	Connector for plug-in camera add-on card	SATA	2x SATA Gen1, Gen2 or Gen3 (module dependent)
SDIO	4-bit SD card slot	Ethernet	1x RJ-45 10/100/1000 Ethernet
eMMC	8-bit eMMC interface header	S/PDIF	S/PDIF header for audio
SPI	Off module boot use (optional) 2x SPI interface headers	Boot Select Jumpers	Module: SPI/eMMC/NOR/NAND Carrier: SPI/eMMC/SD Card/SATA Usage is module dependent
I ² S	3x I ² S interface I2S0 to SGL5000 (default) or AIC3106 (custom option) to audio connector (ARM) I2S1 directly to pin header I2S2 to ALC886 and audio connector (x86)	GPIO	12-pin header (including fan control and HDA reset)
I ² C	4x I ² C - Power Management - LCD - Camera - GP	Alternate Function Blocks	Dedicated AFB connector Pinout is module dependent (see SMARC specification)
Asynchronous Serial Port	4x asynchronous serial ports (UART) - Two with 2 wire handshake (RXD, TXD, RTS#, CTS#) - Two with data only (RXD, TXD) - Logic level interface	Mechanical and Environmental	
CAN Bus	2x CAN bus (D-SUB9) Logic level signals from module based CAN bus protocol controllers RXD, TXD only	Dimension	237 mm x 170 mm (L x W)
USB	4x USB2.0 host 1x USB3.0 host (from AFB, module dependent) 1x mini USB2.0 OTG/client 2x USB2.0 via miniPCIe	Board Connector	MXM 314 pins

Ordering Information

- **LEC-BASE MINI Standard**
2nd Generation SMARC evaluation carrier with triple display (RGB LCD, SC LVDS and HDMI)
- **LEC-BASE MINI Custom**
2nd Generation SMARC evaluation carrier with triple display (DC LVDS, HDMI and HDMI/DP)

*other configurations by request

Functional Diagram



Intelligent Middleware



Middleware Name SEMA®
Description Local management, control of embedded computer systems
 Extended EAPI for monitoring, controlling and analytics applications
 Multiple OS support and across platforms (x86, ARM)

Intelligent IOT Platform



Platform Name SEMA Cloud®
Description Application ready comprehensive industrial grade IoT Platform
 Connecting Devices to a Cloud Platform and to Web Applications
 Remote monitoring and controlling managing of connected devices
 Enabling integration of operational device data into business processes
 Cloud based Platform as a Service (PaaS)

